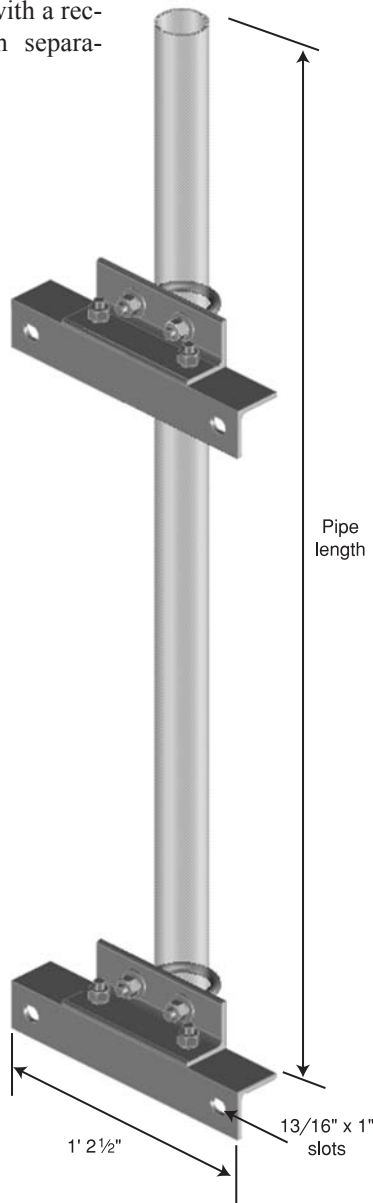


WIRELESS WALL MOUNT

Wireless Wall Mount enables installation of a single panel or whip antenna on a flat wall. The Mounts are provided with 2³/₈" OD pipe. The pipe can be cantilevered beyond the upper mounting bracket to position the antenna above the wall. The standoff of the pipe centerline from the wall is 3¹¹/₁₆". The included U-bolts and other hardware are 1/2" diameter.

The Wireless Wall Mounts are installed to the wall using one of four separately ordered Anchor Kits (page 9.5), selected to match the type of wall construction. The two brackets should be separated as far as possible on the wall with a recommended minimum separation of 3'.

Galvanized.



Product Number	Maximum Pipe Pipe Length	Cantilever	List Price
B1592	5' 6"	2' 6"	\$67.00
B1593	8' 6"	5' 6"	\$75.00
B1594	12'	9'	\$85.00

Wireless Slider Brackets can be purchased as separate kits with all the necessary hardware.

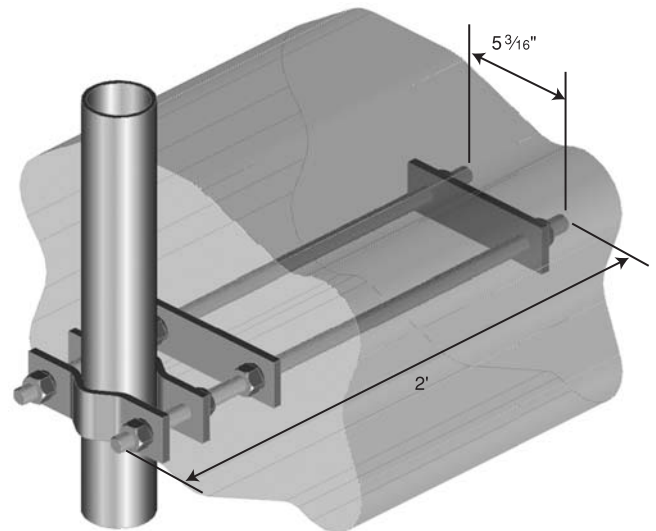
Product Number	Description	List Price
B2003	Wireless Slider Bracket	\$23.00

UNIVERSAL WALL MOUNT KIT

FOR 1" THROUGH 4¹/₂" OD PIPE

The Universal Wall Mount Kit accommodates pipe diameters from 1" to 4¹/₂" and is intended to support one panel, whip, or yagi antenna. The Kit includes two units that support a separately ordered Antenna-Mounting Pipe (page 8.1) or a directly mounted antenna. Mounts to solid or hollow walls up to 1'-2" thick.

Galvanized.



Product Number	Description	List Price
B1665	Universal Wall Mount Kit	\$64.00

ANTENNA SUPPORT STRUCTURES

WALL PIPE MOUNTS

9.2

ANTENNA SUPPORT MOUNTS

GENERAL DESCRIPTION

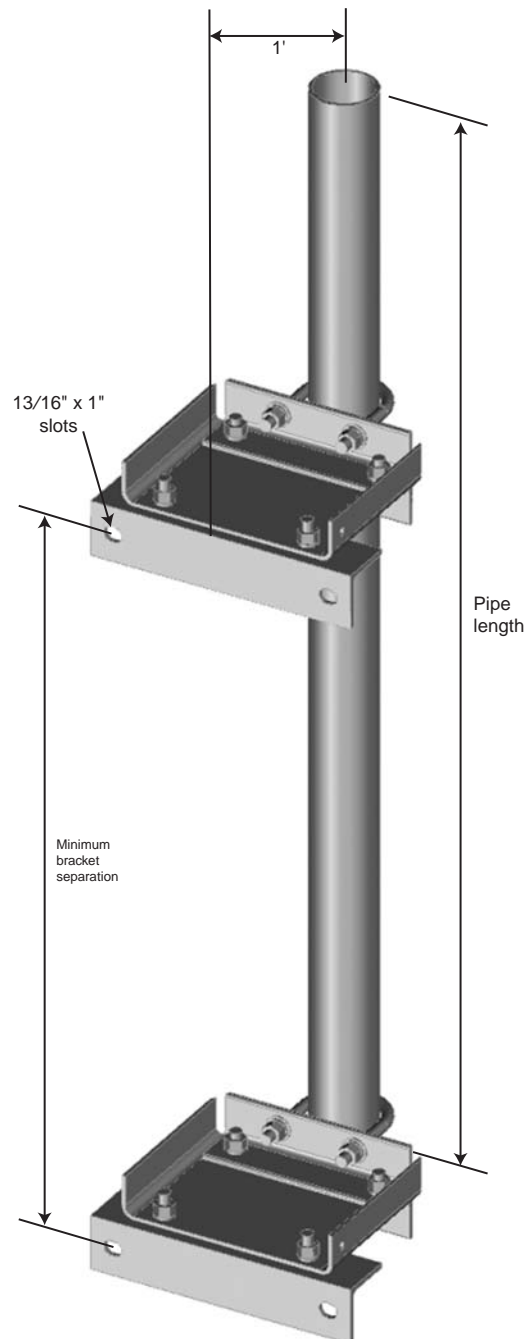
Antenna Support Mounts enable installation of parabolic dish and VHF/UHF antennas on a flat wall. The Mounts, available with pipes in several diameters and a variety of lengths, will support dish antennas up to 10' diameter. The included U-bolts and other hardware are $\frac{5}{8}$ " diameter. An optional B2026 Side-Strut Bracket (page 9.4), provides support for an antennas stabilizing side-strut.

Wireless Frames, section 11, that support multiple wireless antennas on a sector, can be wall-mounted using either Wall Mounts or the Corner Mounts (page 9.3).

Wall attachment hardware kit ordered separately (page 9.5).

WALL MOUNT

Wall Mounts are installed to the wall using one of four separately ordered Anchor Kits (page 9.5), selected to match the type of wall construction. The standoff of the pipe centerline from the wall is 1'. Anchor Kits (page 9.5) are ordered separately to match wall construction.



Product Number	Pipe OD	Pipe Length	Recommended Min Bracket Separation	Max Dish ⁽¹⁾ Antenna Diameter	Allowable ⁽²⁾ Antenna Loads	List Price
B2006	2 $\frac{3}{8}$ "	5'-6"	3'	N/A	960lb	\$117.00
B2007	2 $\frac{7}{8}$ "	5'	3'	N/A	2600 lb	\$127.00
B2008	2 $\frac{7}{8}$ "	6'	3'	N/A	1350 lb	\$135.00
B2009	2 $\frac{7}{8}$ "	8'-4"	3'	N/A	620 lb	\$148.00
B2010	2 $\frac{7}{8}$ "	10'	3'	N/A	450 lb	\$158.00
B2011	2 $\frac{7}{8}$ "	12'	3'	N/A	330 lb	\$170.00
B2012	3"	5'	3'	N/A	2600 lb	\$135.00
B2013	3"	8'-4"	3'	N/A	650 lb	\$155.00
B2168	3 $\frac{1}{2}$ "	5'	3'	N/A	2600 lb	\$150.00
B2169	3 $\frac{1}{2}$ "	8'-4"	3'	N/A	1000 lb	\$165.00
B2170	3 $\frac{1}{2}$ "	10'	3'	N/A	730 lb	\$175.00
B2014	4 $\frac{1}{2}$ "	5'	3'-4"	10'	—	\$155.00
B2015	4 $\frac{1}{2}$ "	8'-4"	5'	8'	—	\$190.00
B2016	4 $\frac{1}{2}$ "	13'	4'	4'	—	\$210.00

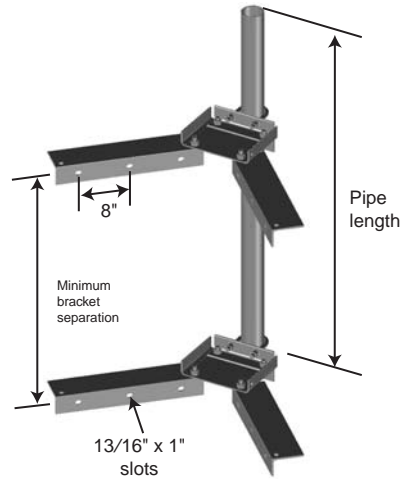
⁽¹⁾ Maximum dish antenna size is based on a standard parabolic dish with centerline located one foot below top of pipe and minimum bracket separation as noted above. Design wind loading is 100 mph and 1/2" ice (40 psf).

⁽²⁾ Maximum antenna loading is based on the load being applied one foot down from top of pip and minimum bracket separation as noted above. Allowable antenna loads will increase as bracket separation is increased.

CORNER MOUNT

The Corner Mounts are installed to the wall using one of four separately ordered Anchor Kits (page 9.5) selected to match the type of wall construction. The standoff of the pipe centerline from the wall corner is 1'-1/4".

Galvanized.



Product Number	Pipe OD	Pipe Length	Recommended Min Bracket Separation	Max Dish ⁽¹⁾ Antenna Diameter	Allowable ⁽²⁾ Antenna Loads	List Price
B2022	2 7/8"	5'	3'	N/A	2600lb	\$188.00
B2023	2 7/8"	8'-4"	3'	N/A	620 lb	\$208.00
B2027	3 1/2"	8'-4"	3'	N/A	1000 lb	\$219.00
B2024	4 1/2"	5'	3'-4"	10'	—	\$208.00
B2025	4 1/2"	8'-4"	5'	8'	—	\$249.00

⁽¹⁾ Maximum dish antenna size is based on a standard parabolic dish with centerline located one foot below top of pipe and minimum bracket separation as noted above. Design wind loading is 100 mph and 1/2" ice (40 psf).

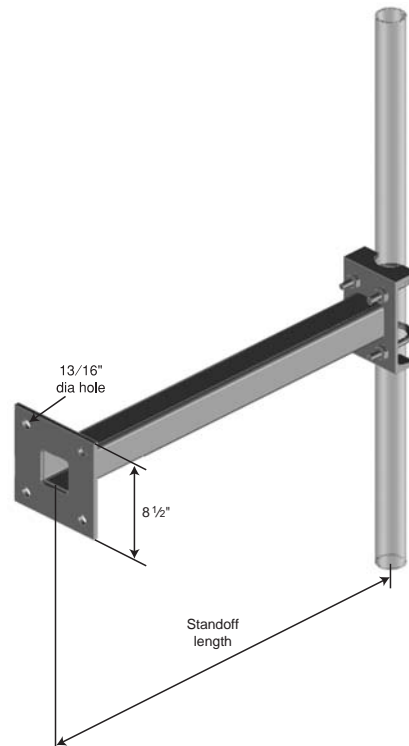
⁽²⁾ Maximum antenna loading is based on the load being applied one foot down from top of pip and minimum bracket separation as noted above. Allowable antenna loads will increase as bracket separation is increased.

STANDOFF WIRELESS WALL MOUNT

Standoff Wireless Wall Mount enables installation of a single panel or whip antenna and provides a wall standoff of 2' or 3'. The wireless antenna installs on a separately ordered 2 3/8" OD Antenna-Mounting Pipe (page 8.1), that U-bolts to the end of the Standoff Mount with included 1/2" diameter hardware. It is recommended that two Standoff Wireless Wall Mounts be used to support large antennas.

The Standoff Wireless Wall Mounts are installed to the wall using one of four separately ordered Anchor Kits (page 8.5), selected to match the type of wall construction.

Galvanized.



Product Number	Description	List Price
B2004	2' Standoff	\$125.00
B2005	3' Standoff	\$135.00

ANTENNA SUPPORT STRUCTURES

WALL PIPE MOUNTS

9.4

SLIDER BRACKET

FOR FLAT WALLS

Slider Brackets, as included with the Wall Mounts, are available for four pipe diameters and mount on a flat wall. The included U-bolts and other hardware are $\frac{5}{8}$ " diameter. Standoff of the pipe centerline from the wall is 1'. Two of these individual Slider Brackets are required to support a pipe for antenna mounting.

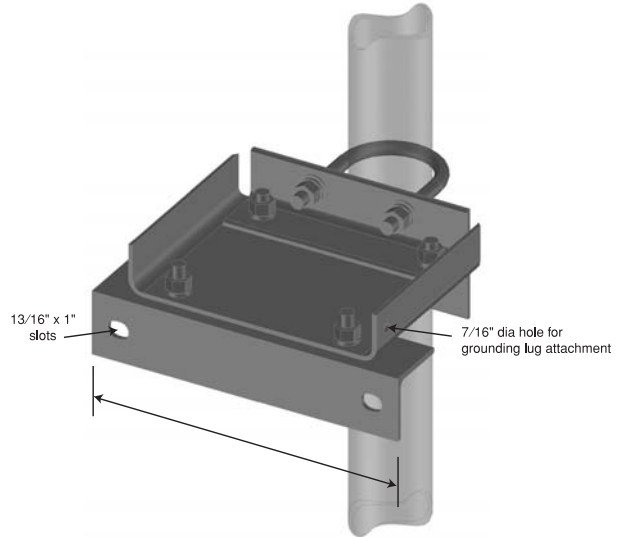
The Slider Bracket is installed to the wall using one of four separately ordered Anchor Kits (page 9.5), selected to match the type of wall construction.

Galvanized.

Brackets are rated to support a lateral load of 2600 lb and a vertical load of 600 lb per bracket when used in pairs

Product Number	Description	List Price
B1476*	2 $\frac{3}{8}$ "	\$72.00
B2018	2 $\frac{3}{8}$ "	\$49.00
B2019	2 $\frac{7}{8}$ "	\$51.00
B2020	3"	\$53.00
B2507	3 $\frac{1}{2}$ "	\$55.00
B2021	4 $\frac{1}{2}$ "	\$57.00

*Comes with thru-bolt and concrete anchor kits

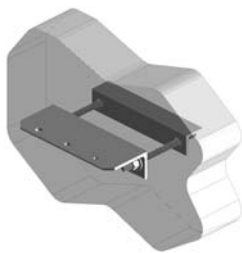


SIDE-STRUT BRACKET

FOR WALLS

Side-Strut Bracket provides a wall support for terminating an antenna's stabilizing side strut. The Bracket, 6" wide x 14 $\frac{1}{2}$ " long, is furnished with three hole sizes of $\frac{9}{16}$ ", $\frac{11}{16}$ ", and $\frac{13}{16}$ " diameter, for attachment of the side strut.

The Bracket is installed to the wall using one of four separately ordered Anchor Kits (page 9.5), selected to match the type of wall construction. The spacing of the mounting holes is 1' center to center. Galvanized.



Product Number	Description	List Price
B2026	6" x 14 $\frac{1}{2}$ " Side-Strut Bracket for walls	\$15.00

ADHESIVE DISPENSER

FOR ADHESIVE ANCHOR KITS

A reusable Adhesive Dispenser is required for application of the adhesive packs during installation of an Adhesive Anchor Kit. One Dispenser should be available to each installation crew.



Product Number	Description	List Price
B1871	Adhesive Dispenser	\$63.00

ANCHOR KITS

FOR WALL & CORNER-MOUNTED PRODUCTS

An Anchor Kit is required to secure the various wall-mounted products in this Section and is selected to match the wall construction of the site. One Anchor Kit listed for a wall-mounted product, provides all the required hardware and parts for its installation. The Anchor Kits utilize 5/8" diameter hardware.

Thru-Bolt Anchor Kits are used for hollow and built-up walls. These Kits accommodate a maximum wall thickness of 1'-8" for a wall mount and 8" for a corner mount. The Kits are furnished with backing angles or plates, threaded rods and hardware.

Concrete Anchor Kits are used for solid concrete walls. The Kits are furnished with 2 1/2" long drop-in anchors and the necessary stainless steel hardware.

Adhesive Anchor Kits are used for masonry or hollow-core block walls. The Kits are furnished with 8" or 12" long threaded rods, screen tubes, and adhesive packs. A separate B1871 Adhesive Dispenser (page 9.4) is necessary for application of the adhesive packs included in the Anchor Kits.

Adhesive Anchor Kits for Solid Concrete are furnished with 8 1/2" long threaded rods and adhesive packs. A separate B1871 Adhesive Dispenser (page 9.4) is necessary for application of the adhesive packs included in the Anchor Kits.

Product Number	Description	Anchors	List Price
B1870	Adhesive Anchor Kit, 5/8"x 8 1/2"	4	\$106.00
B1872	Concrete Anchor Kit	4	\$15.00
B1873	Thru-Bolt Anchor Kit	4	\$32.00
B1896	Adhesive Anchor Kit, 5/8"x 8 1/2"	8	\$204.00
B1897	Concrete Anchor Kit	8	\$30.00
B1898	Thru-Bolt Anchor Kit	8	\$64.00
B1901	Adhesive Anchor Kit, 5/8"x 8 1/2"	2	\$79.00
B1902	Concrete Anchor Kit	2	\$7.50
B1903	Thru-Bolt Anchor Kit	2	\$16.00
B2000	Adhesive Anchor Kit, 5/8"x 12"	8	\$198.00
B2001	Adhesive Anchor Kit, 5/8"x 12"	4	\$127.00
B2002	Adhesive Anchor Kit, 5/8"x 12"	2	\$92.00
B2031	Thru-Bolt Anchor Kit for B2004 / B2005	4	\$32.00
B2527	Adhesive Anchor Kit for Solid Concrete	4	\$73.00

CROSS - REFERENCE GUIDE

For Wall Mounted Product	Thru-Bolt Anchor Kit	Concrete Anchor Kit	Adhesive Anchor Kit 5/8"x8" ¹	Adhesive Anchor Kit 5/8"x12" ¹	Adhesive Anchor Kit for Solid Concrete
B1592	B1873 (4)	B1872 (4)	B1870 (4)	B2001 (4)	B2527 (4)
B1593	B1873 (4)	B1872 (4)	B1870 (4)	B2001 (4)	B2527 (4)
B1594	B1873 (4)	B1872 (4)	B1870 (4)	B2001 (4)	B2527 (4)
B2003	B1903 (2)	B1902 (2)	B1901 (2)	B2002 (2)	—
B2004	B2031 (4)	B1872 (4)	B1870 (4)	B2001 (4)	B2527 (4)
B2005	B2031 (4)	B1872 (4)	B1870 (4)	B2001 (4)	B2527 (4)
B2006	B1873 (4)	B1872 (4)	B1870 (4)	B2001 (4)	B2527 (4)
B2007	B1873 (4)	B1872 (4)	B1870 (4)	B2001 (4)	B2527 (4)
B2008	B1873 (4)	B1872 (4)	B1870 (4)	B2001 (4)	B2527 (4)
B2009	B1873 (4)	B1872 (4)	B1870 (4)	B2001 (4)	B2527 (4)
B2010	B1873 (4)	B1872 (4)	B1870 (4)	B2001 (4)	B2527 (4)
B2011	B1873 (4)	B1872 (4)	B1870 (4)	B2001 (4)	B2527 (4)
B2012	B1873 (4)	B1872 (4)	B1870 (4)	B2001 (4)	B2527 (4)
B2013	B1873 (4)	B1872 (4)	B1870 (4)	B2001 (4)	B2527 (4)
B2014	B1873 (4)	B1872 (4)	B1870 (4)	B2001 (4)	B2527 (4)
B2015	B1873 (4)	B1872 (4)	B1870 (4)	B2001 (4)	B2527 (4)
B2016	B1873 (4)	B1872 (4)	B1870 (4)	B2001 (4)	B2527 (4)
B2018	B1903 (2)	B1902 (2)	B1901 (2)	B2002 (2)	—
B2019	B1903 (2)	B1902 (2)	B1901 (2)	B2002 (2)	—
B2020	B1903 (2)	B1902 (2)	B1901 (2)	B2002 (2)	—
B2021	B1903 (2)	B1902 (2)	B1901 (2)	B2002 (2)	—
B2022	B1898 (8)	B1897 (8)	B1896 (8)	B2000 (8)	—
B2023	B1898 (8)	B1897 (8)	B1896 (8)	B2000 (8)	—
B2024	B1898 (8)	B1897 (8)	B1896 (8)	B2000 (8)	—
B2025	B1898 (8)	B1897 (8)	B1896 (8)	B2000 (8)	—
B2026	B1903 (2)	B1902 (2)	B1901 (2)	B2002 (2)	—
B2027	B1898 (8)	B1897 (8)	B1896 (8)	B2000 (8)	—
B2099	B1903 (2)	B1902 (2)	B1901 (2)	B2002 (2)	—
B2168	B1873 (4)	B1872 (4)	B1870 (4)	B2001 (4)	B2527 (4)
B2169	B1873 (4)	B1872 (4)	B1870 (4)	B2001 (4)	B2527 (4)
B2170	B1873 (4)	B1872 (4)	B1870 (4)	B2001 (4)	B2527 (4)

() Indicates the number of anchors per Kit.

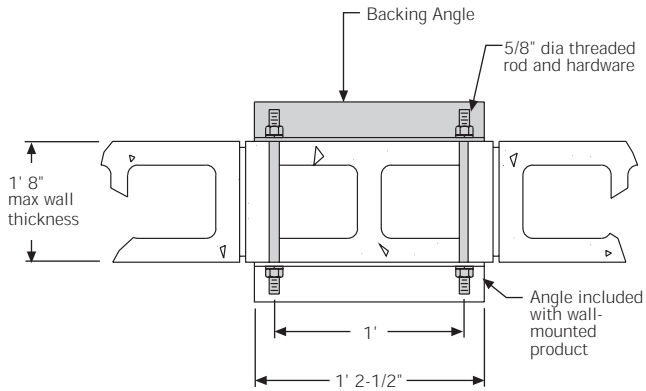
¹ A reusable B1871 Adhesive Dispenser is required for applying the adhesive packs included with adhesive Anchor Kits.

ANTENNA SUPPORT STRUCTURES

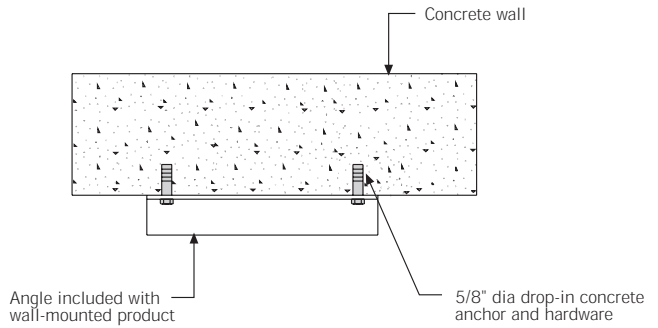
WALL PIPE MOUNTS

9.6

ANCHOR KITS FOR WALL-MOUNTED PRODUCTS

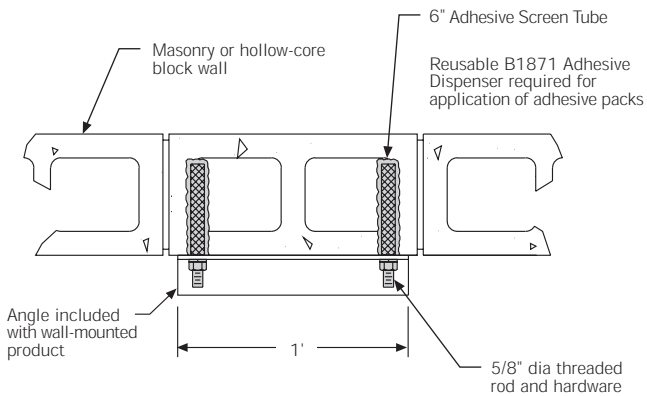


**Thru-Bolt Anchor Kit for Wall-Mounts
B1903 Shown**

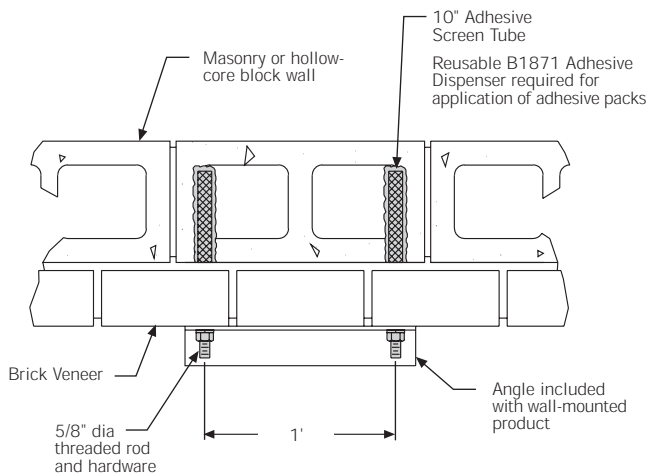


**Concrete Anchor Kit for Wall-Mounts
B1902 Shown**

**Adhesive Anchor Kit for Wall-mounts
B1901 Shown**



**Adhesive Anchor Kit for Wall-mounts
B2002 Shown**



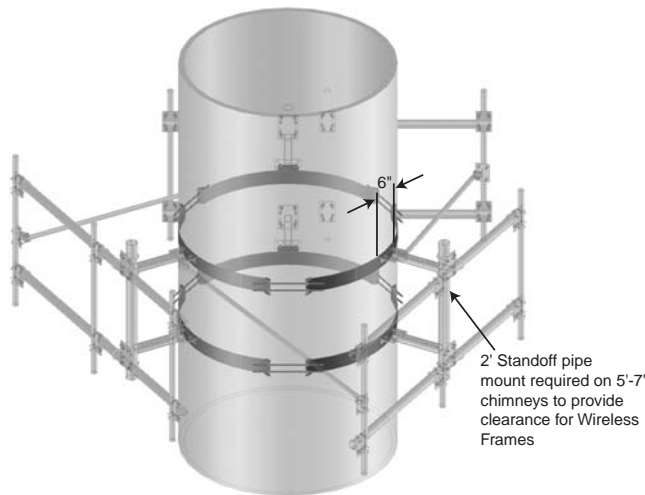
CHIMNEY MOUNT

FOR ROUND CHIMNEYS

Chimney Mounts support Antenna Pipe Mounts, Standoff Pipe Mounts (section 8) or Flush Mount Adapter (page 9.8). Four Kits are offered for various chimney diameters from 5' to 13'. The Mounts are positioned around the chimney and secured with an included tension mounting system.

Standard Wireless Cross-Arm Frames and Wireless Frames (section 11) are used to sectorize the Mounts. When a standard frame does not work, Plain Pipe and Pipe Transfer Kits (page 11.3) can be ordered to make a custom frame.

Galvanized.



Custom Chimney Mounts available for larger or smaller chimney sizes. Call for details.

Product Number	Description	List Price
B2583	Fits 5' - 6' Face Diameter	\$865.00
B2584	Fits 6' - 7' Face Diameter	\$880.00
B2585	Fits 7' - 8' Face Diameter	\$895.00
B2586	Fits 8' - 9' Face Diameter	\$910.00
B2427	Fits 9' - 11' Face Diameter	\$940.00
B2428	Fits 11' - 13' Face Diameter	\$960.00

CHIMNEY MOUNT

FOR SQUARE CHIMNEYS

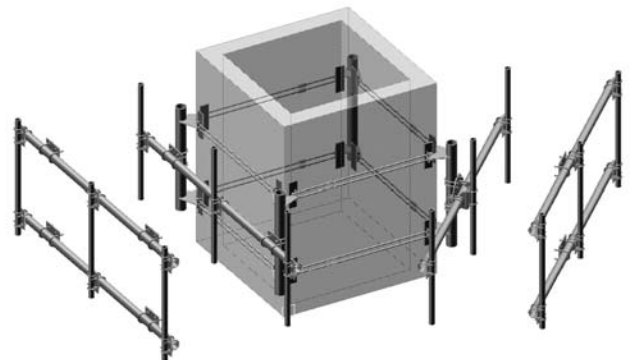
Chimney Mounts provide four 4 1/2" OD x 4' mounting pipes for the installation of Wireless Frames or Cross-Arm Frames (section 11). Five Kits are offered for chimney face widths from 3' to 20'. The Mounts are positioned on each corner of the chimney and held with an included tension mounting system.

Standard Wireless Cross-Arm Frames and Wireless Frames (section 11) are used to sectorize the Mounts. Using Pipe Transfer Kits, Frames will mount to the face of a chimney, with a maximum face width as follows:

Wireless Cross-Arm Frame 10'	8' max chimney width
Wireless Cross-Arm Frame 13'	11' max chimney width
Wireless Frame 10'	8' 3" max chimney width
Wireless Frame 13'	10'-9" max chimney width
Wireless Frame 15'	12'-9" max chimney width

When a standard frame does not work, Plain Pipe and Pipe Transfer Kits (page 11.3) can be ordered to make a custom frame.

Galvanized.



Custom Chimney Mounts available for larger or smaller chimney sizes. Call for details.

Product Number	Fits Chimney Face Width	List Price
B2400	Fits 3' - 4' Face Diameter	\$1,000.00
B2401	Fits 4' - 8' Face Diameter	\$1,200.00
B2402	Fits 8' - 12' Face Diameter	\$1,400.00
B2403	Fits 12' - 16' Face Diameter	\$1,600.00
B2404	Fits 16' - 20' Face Diameter	\$1,800.00

ANTENNA SUPPORT STRUCTURES

WALL PIPE MOUNTS

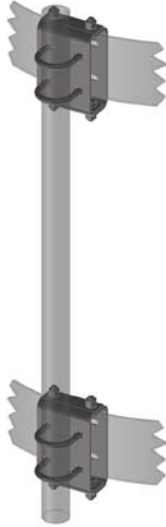
9.8

FLUSH MOUNT ADAPTER

FOR ROUND CHIMNEY MOUNTS

Flush Mount Adapters are used with 2³/₈" OD plain pipe (page 8.1) to mount Panel Antennas close to chimney face. Kit includes two brackets and hardware.

Galvanized.



Product Number	Description	List Price
B3023	Flush Mount Adapter	\$79.00

EXPANSION RINGS

FOR WATER TANKS

Expansion Rings fit on the inside of water tank legs and columns. They are designed to support twelve runs of coax using Snap-In Hangers (page 4.4).



Product Number	Description	List Price
B3140	Expansion Rings for 33" to 39" I.D. Tubes	\$120.00
B3001	Expansion Rings for 39" to 45" I.D. Tubes	\$130.00
B2952	Expansion Rings for 45" to 51" I.D. Tubes	\$140.00

WATER TANK MOUNT

FOR VENT TUBES

This mount clamps to a water tank roof vent or access tube using a separately ordered Tri-bracket (page 10.1). Mast has adjustable foot with rubber pad to rest firmly on sloping roof. This Mount will support Antenna Frames (section 11).

Mount Includes:

- 1 - Standoff Arm
- 1 - 4¹/₂" OD Vertical Mast



Product Number	Description	List Price
B2429	Water Tank Mount	\$450.00