

RED LIGHTING KITS

FAA ADVISORY CIRCULAR AC 70/7460-1K

These Red Lighting Kits meet the obstruction lighting requirements specified by the FAA Advisory Circular AC 70/7460-1K and are available for structures from 20' to 500'. The Kits use 120 volt, 60 Hz power and are furnished with the lights, beacon(s), controller, and photocell, along with the necessary SO-cord, conduit, fittings and junction boxes.

20' TO 150' RED DOUBLE OBSTRUCTION KIT

FAA TYPE A-0



Product Number	Description	List Price
B3069	A-0 20' to 150'	\$895.00

351' TO 500' RED OBSTRUCTION KIT

FAA TYPE A-2



Product Number	Description	List Price
B3071	A-2 351' to 500'	\$6,625.00

151' TO 350' RED OBSTRUCTION KIT

FAA TYPE A-1



Product Number	Description	List Price
B3070	A-1 151' to 350'	\$3,050.00

LIGHTING KITS FOR TALLER TOWERS AVAILABLE UPON REQUEST.

# MISC. ACCESSORIES & HARDWARE

## OBSTRUCTION LIGHTING & PAINT

20.2

### WHITE MEDIUM-INTENSITY LIGHTING KITS

FAA ADVISORY CIRCULAR AC 70/7460-1K

White Medium-Intensity Lighting Kits provide a 24-hour a day aviation obstruction warning system and replace the need for obstruction painting of towers up to 500' high. The Kits meet the FAA Advisory Circular AC 70/7460-1K (L-865) and are furnished with the white strobe beacon(s), controller, photocell and cable.

#### 200' TO 350' WHITE MEDIUM-INTENSITY KIT

FAA TYPE D-1



#### 351' TO 500' WHITE MEDIUM-INTENSITY KIT

FAA TYPE D-2



Product Number	Description	List Price
B3072	D-1 200' to 350'	\$3,620.00

Product Number	Description	List Price
B3073	D-2 351' to 500'	\$11,385.00

DUAL RED-WHITE MEDIUM-INTENSITY LIGHTING KITS

FAA ADVISORY CIRCULAR AC 70/7460-1K

The Dual Red-White Medium-Intensity Lighting Kits combine a daytime white light and a nighttime red light into a single strobe beacon and replace the need for obstruction painting of towers up to 500' high. The strobe beacon operates on a continuous 24-hour basis and automatically switches between the day (L-865) and night (L-864) operating modes. The Kits meet the FAA Advisory Circular AC 70/7460-1K and are furnished with the dual purpose strobe beacon(s), red side lights, controller, photocell, and cable.

200' TO 350' DUAL RED-WHITE MEDIUM-INTENSITY KIT

FAA TYPE E-1



Product Number	Description	List Price
B3075	E-1 200' to 350'	\$5,820.00

351' TO 500' DUAL RED-WHITE MEDIUM-INTENSITY KIT

FAA TYPE E-2



Product Number	Description	List Price
B3076	E-2 351' to 500'	\$17,315.00

# MISC. ACCESSORIES & HARDWARE

## OBSTRUCTION LIGHTING & PAINT

20.4

### LED RED AND DUAL RED/WHITE LIGHTING KITS

FAA ADVISORY CIRCULAR AC 70/7460-1K

These Kits meet the FAA guidelines for obstruction lighting but offer the advantages of LED technology.

LED advantages:

LED based obstruction lights last up to 5 times longer than an incandescent

LED based obstruction lights use 90 percent less power than an incandescent

LED sidelights offer a simple retrofit design. Fits most commonly used sidelight bases

### 20' TO 150' LED RED DOUBLE OBSTRUCTION KIT

FAA TYPE A-0



Product Number	Description	List Price
B3077	A-0 20' to 150'	Call for price

### 151' TO 350' LED RED DOUBLE OBSTRUCTION KIT

FAA TYPE A-1

Product Number	Description	List Price
B3078	A-1 151' to 350'	Call for price

### 351' TO 500' LED RED DOUBLE OBSTRUCTION KIT

FAA TYPE A-2



Product Number	Description	List Price
B3079	A-2 351' to 500'	Call for price



# MISC. ACCESSORIES & HARDWARE

## OBSTRUCTION LIGHTING & PAINT

20.5

### 200' TO 350' LED DUAL RED/WHITE MEDIUM-INTENSITY KIT

FAA TYPE E-1



Product Number	Description	List Price
B3080	E-1 200' to 350'	Call for price

### 351' TO 500' LED DUAL RED/WHITE MEDIUM-INTENSITY KIT

FAA TYPE E-2



Product Number	Description	List Price
B3081	E-1 351' to 500'	Call for price

# MISC. ACCESSORIES & HARDWARE

## OBSTRUCTION LIGHTING & PAINT

20.6

### BEACON MOUNT

FOR LIGHTING KITS

Beacon Mounts support both a beacon light, furnished with Lighting Kits, and a Lightning Rod. The Beacon Mounts are available for mounting on pipe ends or on the flanges of pipe legs. The Beacon and Lightning Rod are not included.

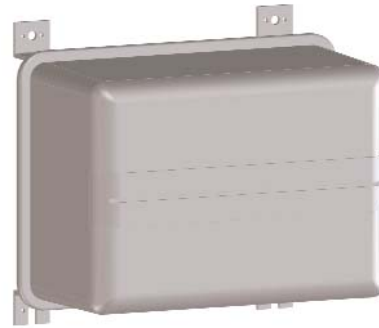


Product Number	Description	List Price
B1004	2 <sup>3</sup> / <sub>8</sub> " OD pipe	\$130.00
B1005	2 <sup>7</sup> / <sub>8</sub> " OD pipe	\$135.00
B1006	3 <sup>1</sup> / <sub>2</sub> " OD pipe	\$140.00
B1007	4 <sup>1</sup> / <sub>2</sub> " OD pipe	\$145.00
B1008	5 <sup>9</sup> / <sub>16</sub> " OD pipe	\$150.00
B1009	Flange with four 1 <sup>1</sup> / <sub>16</sub> " diameter holes on a 5 <sup>1</sup> / <sub>2</sub> " or 7 <sup>1</sup> / <sub>2</sub> " diameter bolt circle	\$61.00

### TOWER LIGHTING CONTROLLER

TO FAA SPECIFICATIONS

Tower Lighting Controllers, included with the Tower Lighting Kits, are available separately as replacement or spare units. These Controllers meet the obstruction lighting requirements specified by the FAA and use 120 volt, 60 Hz power.



Product Number	Description	List Price
B3086	A-0 20' to 150'	\$560.00
B3087	A-1 151' to 350'	\$1,200.00
B3088	A-2 351' to 500'	\$1,465.00

### REPLACEMENT BULBS

FOR LIGHTING KITS

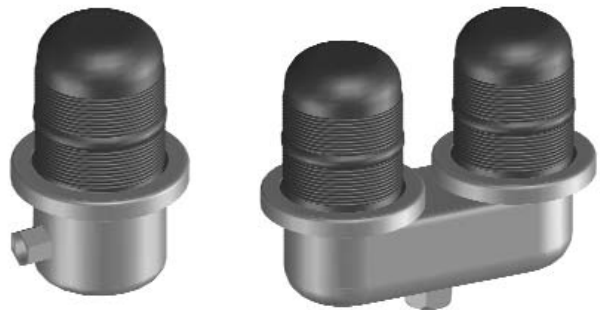


Product Number		Power	Life Expectancy	Qty Per Pkg	List Price
B1272	Beacon Bulbs	620 W/120 V	3,000 hrs	2	\$75.00
B1273	Double Obstruction Bulbs	116 W/120 V	6,000 hrs	2	\$12.00
B1274	Single Obstruction Bulb	116 W/120 V	6,000 hrs	1	\$6.00
B3089	Lamp-Hologen	400w/120v		1	\$87.00

### SINGLE & DOUBLE RED OBSTRUCTION FIXTURE

REPLACEMENT PARTS

These fixtures are available with incandescent or LED lamps. A retrofit kit is also available to convert an incandescent fixture with a screw base lamp receptacle to a LED unit.



Product Number	Description	List Price
B3082	Single Obstruction	\$95.00
B3083	Double Obstruction	\$108.00
B3084	LED Single Obstruction	Call for price
B3085	LED Double Obstruction	Call for price
B3090	LED Retrofit Kit	Call for price

**INTERMEDIATE BEACON MOUNT  
AND BEACON ICE SHIELD**

FOR LIGHTING KITS

Intermediate Beacon Mount support a beacon light, furnished with Lighting Kits, at an intermediate level on the tower. The Beacon Ice Shield provides protection to the beacon from falling ice. The Mount and Ice shield fit on pipe or angle-legs with a slope of 0°-18.° Fits angle-legs from 2½" x 2½" to 8" x 8" and pipe-legs from 1½" to 12¾" OD.

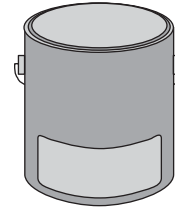


Product Number	Description	List Price
B2363	Intermediate Beacon Mount	\$120.00
B2364	Beacon Ice Shield	\$150.00

**PAINT**

FOR TOUCH-UP AND OBSTRUCTION MARKING

This acrylic latex paint is available for the orange/white tower obstruction marking to FAA advisory circular AC70/7460-I J. Other colors of this specially formulated "tower paint" can be ordered on request, please call for pricing and availability.



Product Number	Description	List Price
B1194	FAA Gloss Orange, 1 gal. can	\$40.00
B1195	FAA Gloss White, 1 gal. can	\$40.00