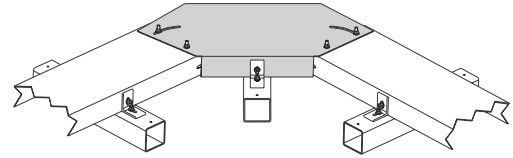


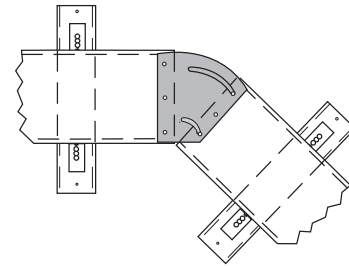
### Coax Bridge Kit for Roof Installation

Each Coax Bridge Kit provides rooftop support for coax transmission lines on three PVC sleepers and protects the coax from damage with an 8' (2.438 m) long steel cover. The three series of products support four, eight, or twelve coax runs, and can accommodate coax sizes from 1/2" (13 mm) through 1-5/8" (41 mm). The coax transmission lines are secured to the 4" (102 mm) square, UV-resistant sleepers with Snap-In Hangers (page 6.07). During installation of the coax, an optional Sleeper Alignment Guide (page 5.03) correctly positions the sleepers to assure correct alignment with the cover's mounting holes. The formed steel covers are secured to the sleepers with included hardware. The covers of successive Coax Bridge Kits interconnect in-line with Straight Splices or at an angle with Adjustable 0°–45° or 20°–90° Splice. All materials are easily transported to the roof by elevator.

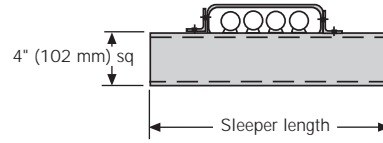
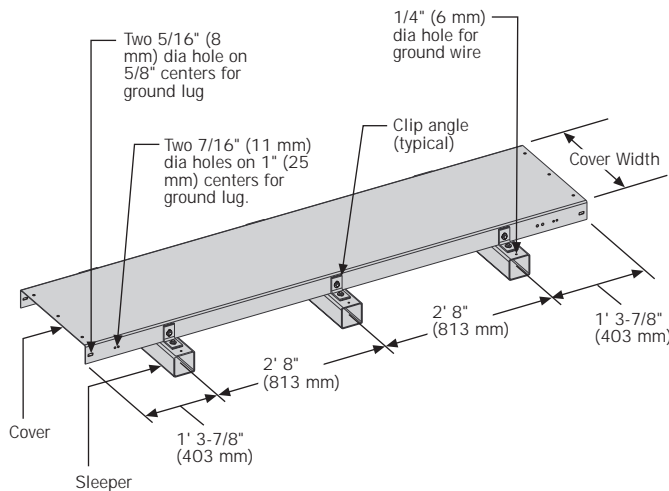
Adjustable 20°–90° Splice



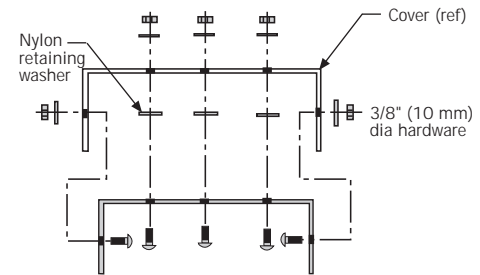
Adjustable 0°–45° Splice



#### Coax Bridge Kit



Straight Splice  
with hardware



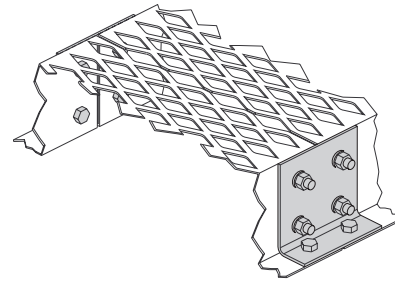
Bridge Kit Product Number	Straight Splice Product Number	0°–45° Splice Product Number	20°–90° Splice Product Number	Coax Lines Supported	Cover Thickness	Width	Sleeper Length
B1542-11	B1544-11	B1573	B1963	Four	11 ga (3.0 mm)	11-1/2" (292 mm)	1' 10" (559 mm)
B1542-14	B1544-14	—	—		14 ga (1.9 mm)		
B1543	B1545	B1574	B1964	Eight	11 ga (3.0 mm)	1' 9-1/2" (546 mm)	2' 7-7/8" (810 mm)
B1595	B1596	B1597	B2112	Twelve	11 ga (3.0 mm)	2' 9" (838 mm)	3' 7-3/8" (1.102 m)

### Coax Grating Bridge Kit with Non-Slip Surface for Roof Installation

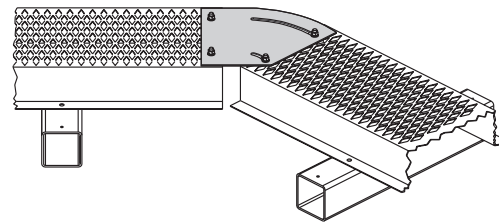
Each Coax Grating Kit provides rooftop support for coax transmission lines on three PVC sleepers and protects the coax from damage with an 8' (2.438 m) long steel grating cover. The cover has a non-slip surface and provides a rooftop walkway. The three series of products support four, seven, or ten coax runs and can accommodate coax sizes from 1/2" (13 mm) through 1-5/8" (41 mm). The coax transmission lines are secured to the 4" (102 mm) square, UV-resistant sleepers with Snap-in Hangers (page 6.07). During installation of the coax, an optional Sleeper Alignment Guide (following page) correctly positions the sleepers to assure correct alignment with the cover's mounting holes.

The grating steel covers are secured to the sleepers with included hardware. The covers of successive Coax Bridge Kits interconnect in-line with Straight Splices or at an angle with Adjustable 0°-45° Splice. All materials are easily transported to the roof by the elevator.

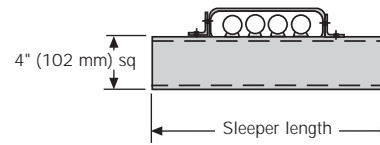
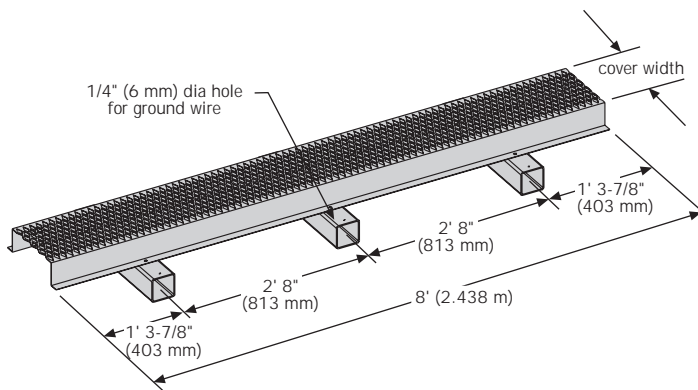
**Straight Splice**  
with hardware



**Adjustable 0°-45° Splice**  
with hardware



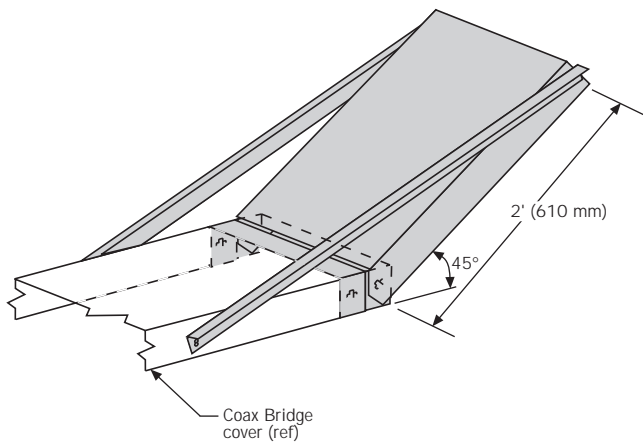
#### Coax Grating Bridge Kit



Bridge Kit Product Number	Straight Splice Product Number	0°-45° Product Number	Coax Lines Supported	Width	Sleeper Length
B1932	B1943	B1944	Four	1' 1-1/4" (28 mm)	1' 11-3/4" (603 mm)
B1933	B1943	B1945	Seven	1' 8-1/4" (514 mm)	2' 6-3/4" (781 mm)
B1934	B1943	B1946	Ten	2' 4-1/2" (724 mm)	3' 3" (991 mm)

### Extension Kit for Rooftop Coax Bridge

The Extension Kit is used at the end of a 4-run or 8-run rooftop Coax Bridge to provide a covered transition to the wall support of the coax. The cover mounts at 45° to accommodate the bending radius of the coax transmission line.

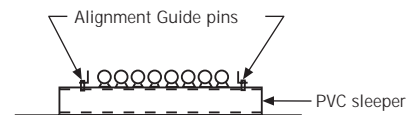
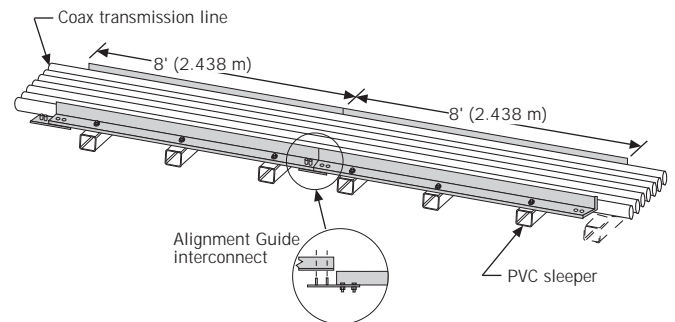


Product Number	For
<b>B1703</b>	4-run Coax Bridge
<b>B1704</b>	8-run Coax Bridge

### Sleeper Alignment Guide for Coax Bridge Installation

The Sleeper Alignment Guide, 16' (4.877 m) long, assures the fast and correct installation of Coax Bridge Kits. At least one Sleeper Alignment Guide should be available to each crew installing rooftop Coax Bridge Kits. The Guide prevents sleeper movement while the coax is being secured with Snap-In Hangers, thus assuring correct alignment with the mounting holes in the formed-steel cover.

On each side of the Bridge, the two 8' (2.438 m) sections of the Alignment Guide, quickly interconnect with a slip-together fitting (see inset). Sleeper alignment pins, 3/8" (10 mm) diameter, on the bottom of the Guide engage with holes in the sleepers, holding them in place during coax installation. After installing the first 16' (4.877 m) of coax with Snap-In Hangers, one 8' (2.438 m) section of the Guide is "leap-frogged" along the Bridge to align the next set of three sleepers, while the next 8' (2.438 m) length of coax is secured to the sleepers.



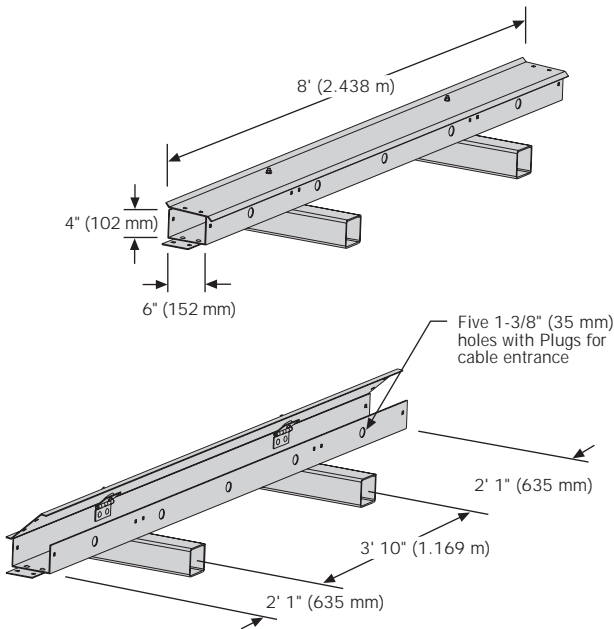
Product Number	Description
<b>B1571</b>	Sleeper Alignment Guide

### Cable Tray Kit for Roof Installation

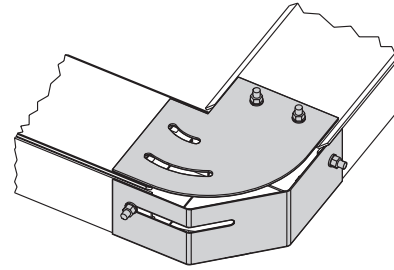
Cable Tray Kits are designed to provide rooftop support and protection for eighty runs of RG-6 transmission line. The Cable Tray rests on two UV-resistant PVC sleepers and is 4" (102 mm) tall x 6" (152 mm) wide x 8' (2.438 m) long with a hinged cover. The tray has five 1-3/8" (35 mm) diameter holes with rubber plugs along one side for cable entry.

The tray is secured to the sleepers with included hardware. Successive Cable Trays may be interconnected in-line with the included straight splice or at an angle with an Adjustable 0°-45° Splice or an Adjustable 45°-90° Splice. The tray, cover, and Splices are 11-gauge (3mm) and are hot-dip galvanized after fabrication. All materials may be easily transported to the roof by elevator.

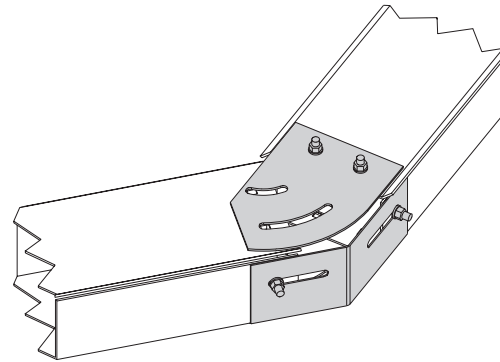
#### Cable Tray Kit



Adjustable 45°-90° Splice



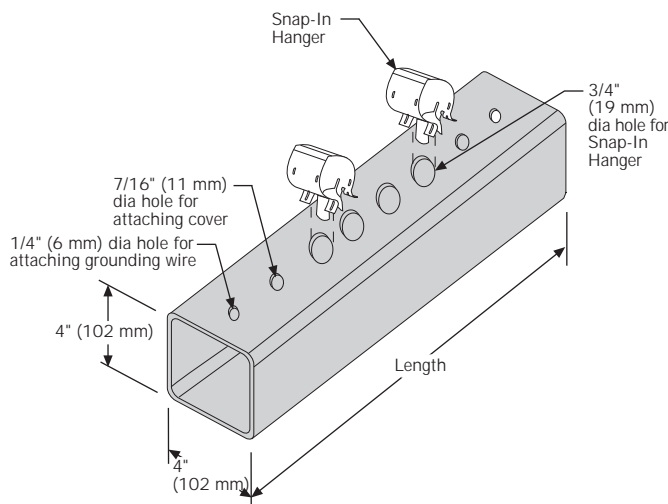
Adjustable 0°-45° Splice



Product Number	Description
B1875	Cable Tray Kit
B1876	Adjustable 0°-45° Splice
B2100	Adjustable 45°-90° Splice

### Sleeper for Coax Support

Sleepers (included with Coax Bridge Kits) are available separately to support rooftop coax runs when the protection of a steel cover is not required. All Sleepers are furnished with 3/4" (19 mm) diameter holes to accommodate Snap-In Hangers (page 8.07). Two series of Sleepers are available to accommodate the widths of either solid or grating covers, using 7/16" (11 mm) mounting holes at both ends. Sleepers are made of a gray 4" (102 mm) x 4" (102 mm), UV-resistant PVC material.

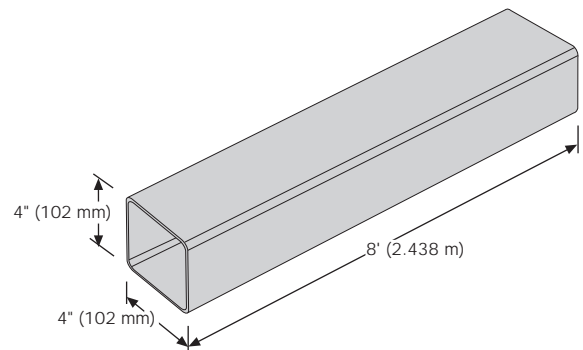


B1598 Sleeper Shown

Product Number	For Cover Type	Coax Lines Supported	Length
B1598	Solid	4	1' 10" (559 mm)
B1599	Solid	8	2' 7-7/8" (810 mm)
B1600	Solid	12	3' 7-3/8" (1.102 m)
B1724	Grating	4	1' 11-3/4" (603 mm)
B1725	Grating	7	2' 6-3/4" (781 mm)
B1726	Grating	10	3' 3" (991 mm)

### Plain PVC Tube

Plain PVC Tube may be customized to meet the requirements of a special application. This is the same material used to produce the Sleepers, provided separately (this page) or with Coax Bridge Kits (page 5.01). The Plain PVC Tube is gray, 4" (102 mm) square UV-resistant material, furnished without holes in 8' (2.438 m) lengths.

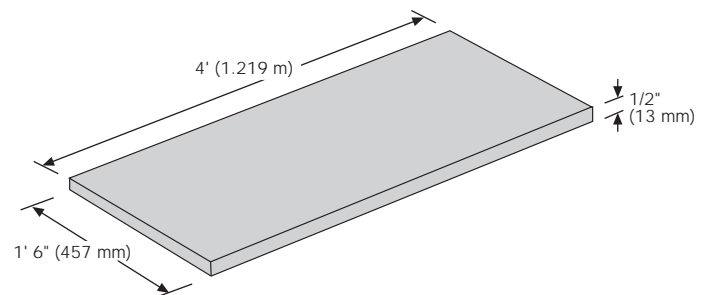


Product Number	Description
B1585	Plain PVC Tube

### Rubber Mat

Rubber Mat provides protection from sharp objects on the surface of a roof and is furnished as a single piece 1/2" (13 mm) thick x 1' 6" (457 mm) wide x 4' (1.219 m) long. The Mat can be cut to size or used in multiples, as required.

Also available are Rubber Mat Kits providing roof protection under the ballast trays of non-penetrating Tripods (B1564, page 21.04) or non-penetrating Frames (B1567, p. 22.04). Rubber Mat can be used as a non-slip walking surface.



Product Number	Description
B1637	Rubber Mat