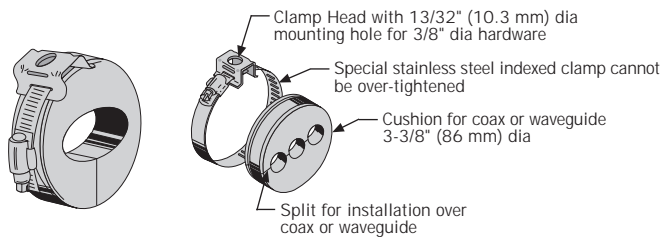
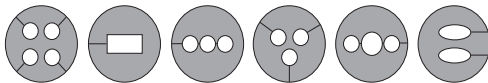


Cushion Hanger

Cushion Hangers are used to support vertical and horizontal runs of coax and waveguide, and are available in the sizes listed on pages 6.02–6.04. They are easily attached to any tower or horizontal transmission line support. The clamp is indexed to prevent overtightening, which assures that the coax or waveguide is firmly gripped without causing damage. Material is unaffected by the sunlight, ozone, or extremes in temperatures ranging from -60° F (-51° C) to +200° F (+93° C).



EXAMPLES



Multiple hole cushions available for some coax and waveguide sizes.

Cushion Hanger assembly includes:

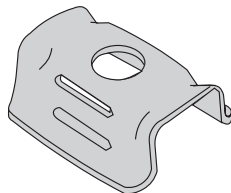
- 1 - Cushion
- 1 - Clamp
- 1 - Clamp Head

5 assemblies per package.

Clamp and Clamp Heads, included with Cushion Hangers, may be purchased separately if needed.

Clamp Head for Cushion Hanger

This stainless steel Clamp Head has 1/16" (2 mm) x 5/8" (16 mm) long slots and a 13/32" (10.3 mm) diameter mounting hole for use with 3/8" diameter hardware.

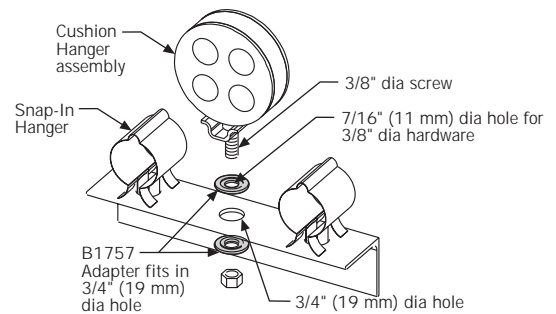


Product Number	Description	Qty Per Pkg
B399	Clamp Head	10

Note: Clamp Heads and indexed clamps, that prevent overtightening, are furnished with Cushion Hangers.

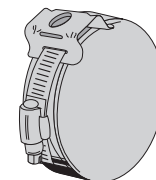
Adapter for 3/8" Diameter Hardware in 3/4" Diameter Hole

The B1757 Adapter converts 3/4" (19 mm) holes to enable the use of 3/8" diameter hardware. The Adapter, used with support products furnished with 3/4" (19 mm) holes for Snap-in Hangers, enables the use of 3/8" diameter hardware to support Cushion Hangers. Two B1757 Adapters are required to convert each 3/4" (19 mm) hole.



Product Number	Description	Qty Per Pkg
B1757	Adapter for 3/8" dia hardware	10

Miscellaneous Cushion Hanger



Product Number	Description
B578	Cushion Hanger with blank cushion - may be field punched for custom fit

Cushion Hangers for Rectangular Waveguide

Cushion Hanger Number	For Waveguide Size Andrew	Cablewave	Gabriel
B1877	WR42 flex	WR42 flex	WR42 flex
B577	WR42	WR42	WR42
B579	WR51	WR51	WR51
B1175	WR62	WR62	WR62
B561	WR75	WR75	WR75
B1699	WR90 flex	WR90 flex	WR90 flex
B557	WR90	WR90	WR90
B560	WR112	WR112	WR112
B1701	WR137 flex	WR137 flex	WR137 flex
B559	WR137	WR137	WR137
B558	WR159	WR159	WR159
B353	WR187	WR187	WR187
B339	WR229	WR229	WR229

Cushion Hangers for Elliptical Waveguide

Cushion Hanger Number	Holes in Cushion	Andrew	For Waveguide Size Cablewave	Gabriel
B1638	1	EW240	—	—
B1165	1	EW220	—	—
B580	1	EW180 & EWP180	WE190 & WE191	GE190
B1296	2	EW180 & EWP180	WE190 & WE191	GE190
B1278	3	EW180 & EWP180	WE190 & WE191	GE190
B583	1	EW132 & EWP132	WE150	—
B2263	2	EW132 & EWP132	WE150	—
B539	1	EW122 & EW127	WE122 & WE130	GE130
B1856	2	EW122 & EW127	WE122 & WE130	GE130
B2089	3	EW122 & EW127	—	—
B541	1	EW107	—	—
B543	1	EW90 & EWP90	—	—
B1279	3	EW90 & EWP90	—	—
B1231	1	EW85	WE108	GE108
B1179	1	—	WE78	GE78
B1250	2	—	WE78	GE78
B548	1	EW77 & EWP77	—	—
B1373	2	EW77 & EWP77	—	—
B536	1	EW71	—	—
B1171	1	—	WE71	GE71
B1166	1	EW64 & EWP64	WE70	GE70
B544	1	EW63 & EWP63	WE65	GE65
B1293	2	EW63 & EWP63	WE65	GE65
B564	1	—	WE60	GE60
B538	1	EW59	WE59	—
B562	1	EW56	—	—
B542	1	EW52 & EWP52	WE61	GE61
B1263	1	—	WE46	GE46
B534	1	EW44 & EWP44	—	—
B1388	1	EW43	—	—
B533	1	EW37 & EWP37	—	—
B1170	1	—	WE37	GE37
B1127	1	EW34 & EWP34	—	—

Cushion Hangers for Coax & Conduit

Cushion Hanger Number	Holes in Cushion	Hole Diameter	For Coax / Conduit Size*
B1666	1	0.195" (5.0 mm)	LMR®-200 coax
B1667	2	0.195" (5.0 mm)	LMR®-200 coax
B1668	3	0.195" (5.0 mm)	LMR®-200 coax
B1669	4	0.195" (5.0 mm)	LMR®-200 coax
B1670	1	0.240" (6.1 mm)	LMR®-240 coax
B1671	2	0.240" (6.1 mm)	LMR®-240 coax
B1672	3	0.240" (6.1 mm)	LMR®-240 coax
B1673	4	0.240" (6.1 mm)	LMR®-240 coax
B1173	1	0.295" (7.5 mm)	1/4" (6 mm) flex coax
B1174	3	0.295" (7.5 mm)	1/4" (6 mm) flex coax
B1601	2	0.332" (8.4 mm)	5/16" (8 mm) round
B1178	1	0.410" (10.4 mm)	LMR®-400, 3/8" (10 mm) flex, or RG-11/U
B1674	2	0.405" (10.4 mm)	LMR®-400, 3/8" (10 mm) flex, or RG-11/U
B1675	3	0.405" (10.4 mm)	LMR®-400, 3/8" (10 mm) flex, or RG-11/U
B1676	4	0.405" (10.4 mm)	LMR®-400, 3/8" (10 mm) flex, or RG-11/U
B1168	1	0.440" (11.2 mm)	3/8" (10 mm) coax
B1169	3	0.440" (11.2 mm)	3/8" (10 mm) coax
B1609	4	0.440" (11.2 mm)	3/8" (10 mm) coax
B1677	1	0.500" (12.7 mm)	LMR®-500 coax
B1678	2	0.500" (12.7 mm)	LMR®-500 coax
B1679	3	0.500" (12.7 mm)	LMR®-500 coax
B1680	4	0.500" (12.7 mm)	LMR®-500 coax
B1346	1	0.520" (13.2 mm)	1/2" (13 mm) flex coax
B1345	3	0.520" (13.2 mm)	1/2" (13 mm) flex coax
B1533	4	0.520" (13.2 mm)	1/2" (13 mm) flex coax
B1167	1	0.580" (14.7 mm)	1/2" (13 mm) air coax
B540	3	0.580" (14.7 mm)	1/2" (13 mm) air coax
B1681	1	0.590" (15.0 mm)	LMR®-600 coax
B1682	2	0.590" (15.0 mm)	LMR®-600 coax
B1683	3	0.590" (15.0 mm)	LMR®-600 coax
B1684	4	0.590" (15.0 mm)	LMR®-600 coax
B1126	1	0.630" (16.0 mm)	1/2" (13 mm) foam coax
B1189	2	0.630" (16.0 mm)	1/2" (13 mm) foam coax
B1112	3	0.630" (16.0 mm)	1/2" (13 mm) foam coax
B1402	4	0.630" (16.0 mm)	1/2" (13 mm) foam coax
B1603	9	0.630" (16.0 mm)	1/2" (13 mm) foam coax
B1339	3	0.686" (17.4 mm)	11/16" (17 mm) round
B587	1	0.770" (19.6 mm)	3/4" (19 mm) round
B1397	2	0.770" (19.6 mm)	3/4" (19 mm) round
B1459	1	0.840" (21.3 mm)	1/2" (13 mm) rigid conduit
B1685	1	0.870" (22.1 mm)	LMR®-900 coax
B1686	2	0.870" (22.1 mm)	LMR®-900 coax
B1687	3	0.870" (22.1 mm)	LMR®-900 coax

Continued on next page

*For Coax Manufacturers' Cross-Reference, see page 6.03 & 6.04

Microflect will manufacture Cushion Hangers for custom requirements. Please call for information.

Cushion Hanger material meets specifications ASTM-D2000 and SAE J200.

Cushion Hangers for Coax & Conduit, Continued

B1688	4	0.870" (22.1 mm)	LMR®-900 coax
B1176	1	0.880" (22.4 mm)	RG-17/U
B1331	3	0.880" (22.4 mm)	RG-17/U
B1460	1	1.050" (26.7 mm)	3/4" (19 mm) conduit
B537	1	1.110" (28.2 mm)	7/8" (22 mm) coax
B1193	2	1.110" (28.2 mm)	7/8" (22 mm) coax
B1151	3	1.110" (28.2 mm)	7/8" (22 mm) coax
B1386	4	1.110" (28.2 mm)	7/8" (22 mm) coax
B1689	1	1.200" (30.5 mm)	LMR®-1200 coax
B1690	2	1.200" (30.5 mm)	LMR®-1200 coax
B1691	3	1.200" (30.5 mm)	LMR®-1200 coax
B1398	1	1.315" (33.4 mm)	1" (25 mm) rigid conduit
B1152	1	1.560" (39.6 mm)	1-1/4" (32 mm) coax
B1692	1	1.670" (42.4 mm)	LMR®-1700 coax
B1399	1	1.900" (48.3 mm)	1-1/2" (38 mm) rigid conduit
B535	1	2.000" (50.8 mm)	1-5/8" (41 mm) coax
B1262	1	2.375" (60.3 mm)	2-1/4" (57 mm) coax or 2" (51 mm) rigid conduit
B1463	1	2.875" (73.0 mm)	2-1/2" (64 mm) rigid conduit
B1172	1	3.000" (76.2 mm)	3" (76 mm) coax

*For Coax Manufacturers' Cross-Reference, see table at right.

Cushion Hangers for Mixed Waveguide & Coax sizes

Cushion Hanger Number	Holes in Cushion	Hole Diameters	For Coax / Waveguide Size
B1972	1	0.240" (6.1 mm)	1/4" (6 mm) coax &
	2	0.520" (13.2 mm)	1/2" (13 mm) flex coax
B1575	2	0.323" (8.2 mm)	—
	2	0.394" (10.0 mm)	—
B1572	2	0.327" (8.3 mm)	—
	2	0.406" (10.3 mm)	—
	2	0.543" (13.8 mm)	—
B1611	2	0.440" (11.2 mm)	3/8" (10 mm) coax &
	1	0.625" (15.9 mm)	5/8" (16 mm) round
B1446	1	0.528" (13.4 mm)	4/0 (10 mm) ground wire &
	1	1.110" (28.2 mm)	7/8" (22 mm) coax
B1341	1	0.630" (16.0 mm)	1/2" (13 mm) foam coax &
	2	1.110" (28.2 mm)	7/8" (22 mm) coax
B1716	1	0.630" (16.0 mm)	1/2" (13 mm) foam coax &
	1	1.560" (39.6 mm)	1-1/4" (32 mm) coax
B1758	1	0.630" (16.0 mm)	1/2" (13 mm) foam coax &
	1	2.000" (50.8 mm)	1-5/8" (41 mm) coax
B1251	2	0.630" (16.0 mm)	1/2" (13 mm) foam coax &
	1	1.110" (28.2 mm)	7/8" (22 mm) coax
B1532	3	0.630" (16.0 mm)	1/2" (13 mm) foam coax &
	1	1.110" (28.2 mm)	7/8" (22 mm) coax

Cushion Hangers for Mixed Waveguide & Coax sizes, Continued

B1962	3	0.630" (16.0 mm)	1/2" (13 mm) foam coax &
	2	1.110" (28.2 mm)	7/8" (22 mm) coax
B1374	1	0.770" (19.6 mm)	3/4" (19 mm) round &
	1	1.110" (28.2 mm)	7/8" (22 mm) coax
B2242	2	1.560" (39.6 mm)	1-1/4" (32 mm) coax &
	1	2.000" (50.8 mm)	1-5/8" (41 mm) coax
B1466	1	1.110" (28.2 mm)	7/8" (22 mm) coax &
	1	—	EW63 waveguide
B1541	1	—	EW90 waveguide &
	1	—	EW63 waveguide
B2046	2	.520" (13.2 mm)	1/2" (13 mm) FSJ4 Super Flex
	1	.332" (8.4 mm)	RG6

Coax Manufacturers' Cross Reference Coax Transmission Lines

Coax Model	Nominal Size	Cushion Hanger Number	1 hole	2 hole	3 hole	4 hole
Amphenol						
SFC1-50J	1/4" (6 mm) flex	B1173	—	B1174	—	—
SFC2-50J	3/8" (10 mm) flex	B1178	B1674	B1675	B1676	—
SFC4-50J	1/2" (13 mm) flex	B1346	—	B1345	B1533	—
AFC4-50J	1/2" (13 mm) foam	B1126	B1189	B1112	B1402	—
AFC5-50J	7/8" (22 mm) foam	B537	B1193	B1151	B1386	—
Andrew						
FSJ1-50A	1/4" (6 mm) flex	B1173	—	B1174	—	—
FSJ2-50	3/8" (10 mm) flex	B1178	B1674	B1675	B1676	—
LDF2-50	3/8" (10 mm)	B1168	B2043	B1169	B1609	—
FSJ4-50B	1/2" (13 mm) flex	B1346	—	B1345	B1533	—
HJ4-50	1/2" (13 mm) air	B1167	—	B540	—	—
LDF4-50A	1/2" (13 mm) foam	B1126	B1189	B1112	B1402	—
LDF4-75A	1/2" (13 mm) foam	B1126	B1189	B1112	B1402	—
RXL4-1A	1/2" (13 mm) foam	B1126	B1189	B1112	B1402	—
HJ5-50	7/8" (22 mm) air	B537	B1193	B1151	B1386	—
LDF5-50A	7/8" (22 mm) foam	B537	B1193	B1151	B1386	—
RXL5-1	7/8" (22 mm) foam	B537	B1193	B1151	B1386	—
LDF6-50	1-1/4" (32 mm)	B1152	—	—	—	—
LDF7-50A	1-5/8" (41 mm)	B535	—	—	—	—
HJ7-50A	1-5/8" (41 mm)	B535	—	—	—	—
HJ12-50	2-1/4" (57 mm)	B1262	—	—	—	—
HJ8-50B	3" (76 mm)	B1172	—	—	—	—
Cablewave Systems						
S-FLC14-50J	1/4" (6 mm) flex	B1173	—	B1174	—	—
FLC38-50J	3/8" (10 mm)	B1168	—	B1169	B1609	—
FXA12-50J	1/2" (13 mm) flex	B1346	—	B1345	B1533	—

continued on next page

Microflect will manufacture Cushion Hangers for custom requirements. Please call for information. Cushion Hanger material meets specifications ASTM-D2000 and SAE J200.

Coax Manufacturers' Cross Reference Coax Transmission Lines, continued

Coax Model	Nominal Size	Cushion Hanger Number			
		1 hole	2 hole	3 hole	4 hole
FLC12-50J	1/2" (13 mm) foam	B1126	B1189	B1112	B1402
HCC12-50J	1/2" (13 mm) air	B1167	—	B540	—
FLC78-50J	7/8" (22 mm) foam	B537	B1193	B1151	B1386
HCC78-50J	7/8" (22 mm) air	B537	B1193	B1151	B1386
FLC114-50J	1-1/4" (32 mm)	B1152	—	—	—
FLC158-50J	1-5/8" (41 mm) foam	B535	—	—	—
HCC158-50J	1-5/8" (41 mm) air	B535	—	—	—
HCC300-50J	3" (76 mm)	B1172	—	—	—
CommScope					
CR 50 396PE	3/8" (10 mm) foam	B1168	B2043	B1169	B1609
CR 50 540PE	1/2" (13 mm) foam	B1126	B1189	B1112	B1402
CR 50 1070PE	7/8" (22 mm) foam	B1689	B1690	B1691	—
CR 50 1873PE	1-5/8" (41 mm) foam	B535	—	—	—
Decibel					
DBC014X5P	1/4" (6 mm) super flex	B1173	—	B1174	—
DBC012F5P	1/2" (13 mm) foam	B1126	B1189	B1112	B1402
DBC012A5P	1/2" (13 mm) air	B1167	—	B540	—
DBC012X5P	1/2" (13 mm) super flex	B1346	—	B1345	B1533
DBC078F5P	7/8" (22 mm) foam	B537	B1193	B1151	B1386
DBC078A5P	7/8" (22 mm) air	B537	B1193	B1151	B1386
DBC114F5P	1-1/4" (32 mm) foam	B1152	—	—	—
DBC158F5P	1-5/8" (41 mm) foam	B535	—	—	—
DBC158A5P	1-5/8" (41 mm) air	B535	—	—	—
Eupen					
5062	1/4" (6 mm) foam	B1178	B1674	B1675	B1676
5088	3/8" (10 mm) foam	B1168	B2043	B1169	B1609
5128	1/2" (13 mm) foam	B1126	B1189	B1112	B1402
5092	1/2" (13 mm) foam HIFLEX	B1346	—	B1345	B1533
5228	7/8" (22 mm) foam	B537	B1193	B1151	B1386
5328GL	1-1/4" (32 mm) foam	B1152	—	—	—
5438	1-5/8" (10 mm) foam	B535	—	—	—
Gabriel Electronics					
SLF-14	1/4" (6 mm) flex	B1173	—	B1174	—
LCC-38	3/8" (10 mm) foam	B1168	—	B1169	B1609
SLF-12	1/2" (13 mm) flex	B1346	—	B1345	B1533
GCC-12	1/2" (13 mm) air	B1167	—	B540	—
LLF-12	1/2" (13 mm) foam	B1126	B1189	B1112	B1402
GCA-78	7/8" (22 mm) air	B537	B1193	B1151	B1386
LLF-78	7/8" (22 mm) foam	B537	B1193	B1151	B1386
LLF-114	1-1/4" (32 mm)	B1152	—	—	—
GCA-158	1-5/8" (41 mm) air	B535	—	—	—
LLF-158	1-5/8" (41 mm) foam	B535	—	—	—
GCA-214	2-1/4" (57 mm)	B1262	—	—	—

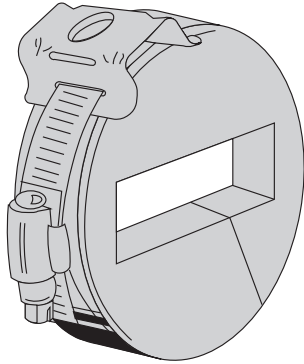
continued next column

Coax Model	Nominal Size	Cushion Hanger Number			
		1 hole	2 hole	3 hole	4 hole
NK Cables					
RF 1/2"-50	1/2" (13 mm) foam	B1126	B1189	B1112	B1402
RF 7/8"-50	7/8" (22 mm) foam	B537	B1193	B1151	B1386
RF 1-1/4"-50	1-1/4" (32 mm) foam	B1152	—	—	—
RF 1-5/8"-50	1-5/8" (42 mm) foam	B535	—	—	—
RF 2-1/4"-50	2-1/4" (57 mm) foam	B1262	—	—	—
RFF 1/4"-50	1/4" (6 mm) flex	B1173	—	B1174	—
RFF 3/8"-50	3/8" (10 mm) flex	B1178	B1674	B1675	B1676
RFF 1/2"-50	1/2" (13 mm) flex	B1346	—	B1345	B1533
RFF 7/8"-50	7/8" (22 mm) flex	B1460	—	—	—
RFX 1/2"-50	1/2" (13 mm) foam	B1126	B1189	B1112	B1402
RFX 7/8"-50	7/8" (22 mm) foam	B537	B1193	B1151	B1386
RFX 1-1/4"-50	1-1/4" (32 mm) foam	B1152	—	—	—
RFX 1-5/8"-50	1-5/8" (42 mm) foam	B535	—	—	—
RFXT 5/8"-50	5/8" (16 mm) foam	B1685	B1686	B1687	B1688
Scala Electronics					
RFF-1/2	1/2" (13 mm) superflex	B1346	—	B1345	B1533
RF-1/2	1/2" (13 mm) flex	B1126	B1189	B1112	B1402
RFF-7/8	7/8" (22 mm) superflex	B1460	—	—	—
RF-7/8	7/8" (22 mm) flex	B537	B1193	B1151	B1386
RF-1-1/4	1-1/4" (32 mm) flex	B1152	—	—	—
RF-1-5/8	1-5/8" (41 mm) flex	B535	—	—	—
Times Microwave Systems					
LMR [®] -200	0.20" (5 mm)	B1666	B1667	B1668	B1669
LMR [®] -240	0.24" (6 mm)	B1670	B1671	B1672	B1673
LMR [®] -400	0.40" (10 mm)	B1178	B1674	B1675	B1676
LMR [®] -500	0.50" (13 mm)	B1677	B1678	B1679	B1680
LMR [®] -600	0.60" (15 mm)	B1681	B1682	B1683	B1684
LMR [®] -900	0.90" (23 mm)	B1685	B1686	B1687	B1688
LMR [®] -1200	1.20" (31mm)	B1689	B1690	B1691	—
LMR [®] -1700	1.70" (43mm)	B1692	—	—	—
Trilogy					
AT-0500J-50	1/2" (13 mm)	B1681	B1682	B1683	B1684
RMC2-50-500J	1/2" (13 mm)	B1681	B1682	B1683	B1684
RMC2-75-500J	1/2" (13 mm)	B1681	B1682	B1683	B1684
AT-0750J-50	5/8" (16 mm)	B1459	—	—	—
RMC2-50-750J	5/8" (16 mm)	B1459	—	—	—
RMC2-75-750J	5/8" (16 mm)	B1459	—	—	—
AT-1000J-50	7/8" (22 mm)	B537	B1193	B1151	B1386
RMC2-50-1000J	7/8" (22 mm)	B537	B1193	B1151	B1386
RMC2-75-1000J	7/8" (22 mm)	B537	B1193	B1151	B1386
AT-1875-50	1-5/8" (41 mm)	B535	—	—	—
Wireless Solutions					
W0250	1/4" (6 mm) foam	B1178	B1674	B1675	B1676
W0375	3/8" (10 mm) foam	B1168	B2043	B1169	B1609
W0500HF	1/2" (13 mm) hi-flex	B1346	—	B1345	B1533
W0500	1/2" (13 mm) foam	B1126	B1189	B1112	B1402
W0875	7/8" (22 mm) foam	B537	B1193	B1151	B1386
W1250	1-1/4" (32 mm) foam	B1152	—	—	—
W1625	1-5/8" (41 mm) foam	B1126	—	—	—

Microflect will manufacture Cushion Hangers for custom requirements. Please call for information. Cushion Hanger material meets specifications ASTM-D2000 and SAE J200.

Large Cushion Hanger for Coax & Waveguide

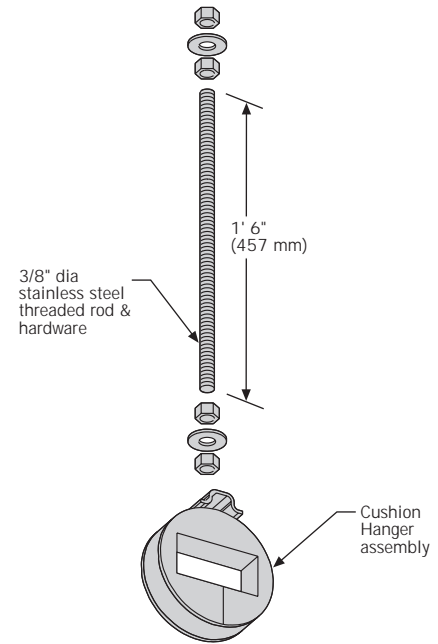
Assembly includes cushion, indexed clamp, and clamp head.



Cushion Hanger Number	5" Dia Cushion	6" Dia Cushion	Holes in Cushion	Hole Diameter	For Coax / Waveguide Size
—	B1344		4	1.110" (28.2 mm)	7/8" (22 mm) coax
B1400	—		2	1.560" (39.6 mm)	1-1/4" (32 mm) coax
B1664	—		3	1.560" (39.6 mm)	1-1/4" (32 mm) coax
B1566	—		4	1.560" (39.6 mm)	1-1/4" (32 mm) coax
B1790	—		2	2.000" (50.8 mm)	1-5/8" (41 mm) coax
—	B1465		3	2.000" (50.8 mm)	1-5/8" (41 mm) coax
B1303	—		1	3.500" (88.9 mm)	3-1/2" (89 mm) coax
—	B1313		1	4.000" (101.6 mm)	4" (102 mm) coax
—	B1453		1	—	EW20 waveguide
B2184	—		1	—	GE30 & WE30
B1270	B1264		1	—	WR284 waveguide
B1712	—		1	—	WR340 waveguide
—	B1265		1	—	RG-387/U waveguide
—	B1342		1	—	WR430 waveguide

Cushion Hanger Kit

The Cushion Hanger Kit includes a Cushion Hanger assembly, with cushion, clamp, clamp head, and a 1' 6" (457 mm) long stainless threaded rod with stainless nuts and lockwashers.



Product Number	For Waveguide Size	Cushion Diameter
B1884	WR42 flex	3-3/8" (86 mm)
B1700	WR90 flex	3-3/8" (86 mm)
B1702	WR137 flex	3-3/8" (86 mm)
B1713	WR340 flex	5" (127 mm)

Coax Block for Transmission Line Support

Coax Blocks are a compact and economical means of supporting coax transmission lines. Installation and maintenance of coax lines is simplified over other block designs, through the use of a single 1/2" (13 mm) diameter support rod. Coax Blocks, supporting four runs of either 7/8" (22 mm) coax or 1-5/8" (41 mm) coax, may be stacked on a single threaded rod for support of up to 12 vertical runs or 16 horizontal runs.

The versatile Coax Blocks are assembled using the Hardware Kits below and are mounted for either vertical or horizontal runs using the numerous products found in Section 2 for vertical support, Section 3 for horizontal bridge support, and Section 5 for rooftop support.

The rugged Coax Blocks are made of a durable, UV resistant PVC material that withstands extreme weather conditions.

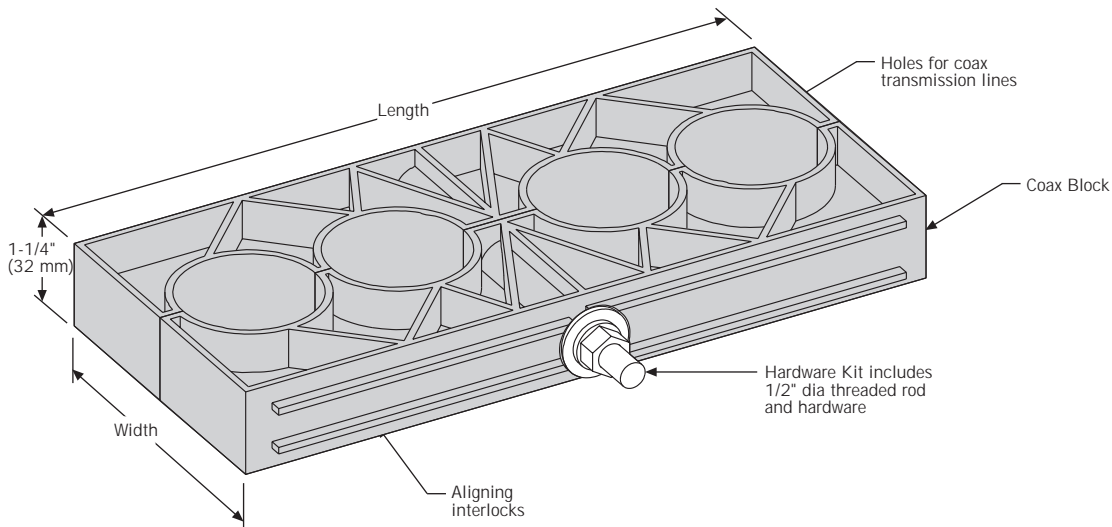
Product Number	Support for Coax Lines	Length	Width
B1760	Four 7/8" (22 mm)	6-5/8" (168 mm)	2-5/8" (67 mm)
B1762	Four 1-5/8" (41 mm)	10-5/16" (262 mm)	4-5/8" (118 mm)

Hardware Kit for Coax Blocks

Hardware Kits for assembling Coax Blocks consist of a stainless steel 1/2" diameter threaded rod, nuts, and washers. The Kits vary by the length of the threaded rod, which enables the Coax Blocks to be mounted in single, double, triple, or quad stacks. Quad stacks should only be used for support of horizontal runs. Coax Blocks for 7/8" (22 mm) and 1-5/8" (41 mm) coax may be inter-mixed in one stack, providing versatility and greater installation economy.

Product Number	For Stacks of 7/8" Coax Blocks	For Stacks of 1-5/8" Coax Blocks	Length of 1/2" Dia Threaded Rod
B1763	single	—	6" (152 mm)
B1764	double	single	9" (229 mm)
B1765	triple	—	1' (305 mm)
B1766	*quad	double	1' 3" (381 mm)
B1767	—	triple	1' 8" (508 mm)
B1768	—	*quad	2' (610 mm)

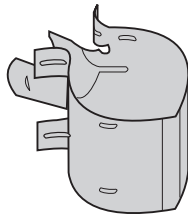
*Quad stacks of Coax Blocks are only used to support horizontal runs.



B1762 Coax Block shown

Snap-In Hanger for Coax Transmission Line

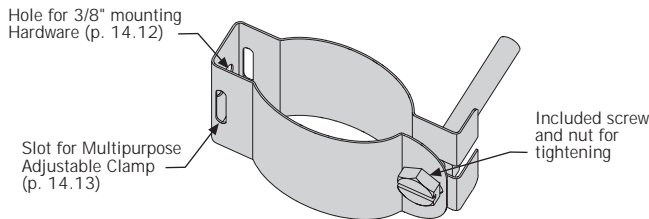
Snap-In Hangers are available for coax transmission line in sizes from 1/2" (13 mm) to 2-1/4" (57 mm). They allow coax to be quickly secured to a supporting structure. Snap-In Hangers are used with various support products found in Vertical Transmission Line Supports, section 2, and Rooftop Bridge Kits, section 5.



Product Number	Description	Qty Per Pkg
B1559	Snap-In Hanger for 1/2" (13 mm) coax,	10
B1560	Snap-In Hanger for 7/8" (22 mm) coax,	10
B1561	Snap-In Hanger for 1-1/4" (32 mm) coax,	10
B1562	Snap-In Hanger for 1-5/8" (41 mm) coax,	10
B1914	Snap-In Hanger for 2-1/4" (57 mm) coax,	10

Butterfly Hanger

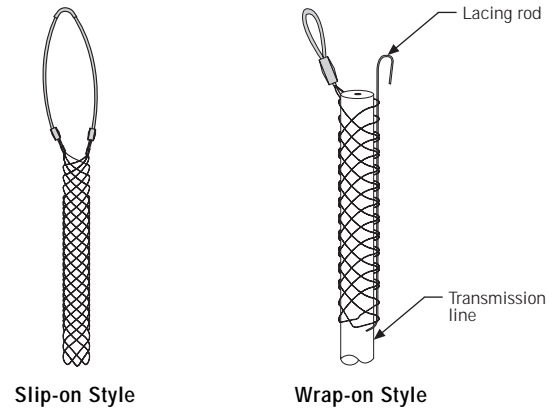
Butterfly Hangers may be mounted directly to tower members, Angle-Leg Support Clamps, Pipe-Leg Support Clamps, Standoff Kits and Cluster Brackets (all in section 2) with 3/8" diameter hardware. Hangers may also be mounted to round members with Multipurpose Adjustable Clamp (page 14.13). Hangers are available for coax transmission line in sizes from 1/2" (13 mm) to 3" (76 mm) and waveguide transmission line EW220 to EW34. Made from stainless steel, a slotted screw and nut are included for tightening. Mounting hardware ordered separately.



Product Number	Coax & Waveguide Sizes	Qty Per Pack
B2115	1/2" foam & air coax, EW180 & EW220	10
B2116	5/8" air coax, EW127 & EW132	10
B2117	7/8" foam & air coax, EW85 & EW90	10
B2118	1-1/4" foam coax & EW64	10
B2119	1-5/8" foam & air coax	10
B2120	2-1/4" air coax & EW37	10
B2121	3" air coax & EW77	10
B2122	EW63	10
B2123	EW52	10
B2124	EW43	10
B2144	EW34	10

Hoisting Grip for Coax Transmission Line

Hoisting Grips are used to raise transmission line up a tower and are available in either a slip-on style or a wrap-on style, which includes the lacing rod. The Hoisting Grips are used at 200' (60 m) intervals and may be left in place on the tower.



Slip-On Style

Product Number	Circumference Range, in (mm)	Fits Transmission Line	
		Coax, in (mm)	Elliptical
B1729S	1.67 (42.4)–2.29 (58.2)	1/2 (13)	EW220 & EW180
B1730S	3.14 (79.8)–3.90 (99.1)	7/8 (22)	EW90 & EW85
B1731S	4.71 (119.6)–5.47 (138.9)	1-1/4 (32)	EW64
B1732S	6.28 (159.5)–7.82 (198.6)	1-5/8 (41) & 2-1/4 (57)	EW43, EW37

Wrap-On Style

Product Number	Circumference Range, in (mm)	Fits Transmission Line	
		Coax, in (mm)	Elliptical
B1729W	1.57 (39.9)–1.92 (48.8)	1/2 (13)	EW240 & EW220
B1730W	3.14 (79.8)–3.90 (99.1)	7/8 (22)	EW90 & EW85
B1731W	4.71 (119.6)–5.47 (138.9)	1-1/4 (32)	EW64
B1732W	6.28 (159.5)–7.82 (198.6)	1-5/8 (41) & 2-1/4 (57)	EW43, EW37 & EW63