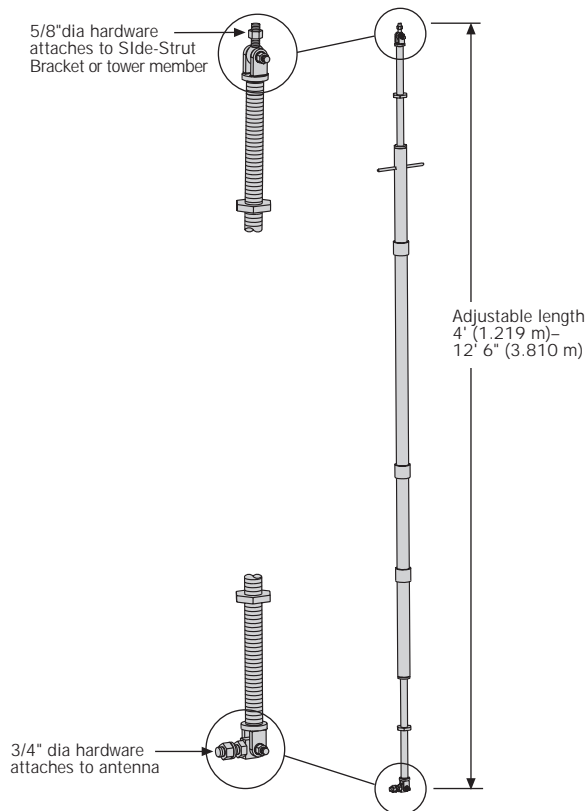


### Antenna Side Strut

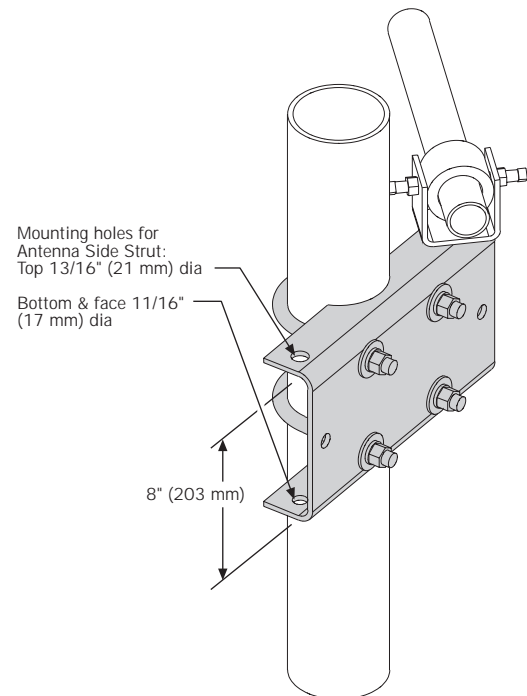
The Antenna Side Strut enables the precise setting of the azimuth for an antenna. The modular construction allows the length to be adjusted from 4' (1.219 m) to 12' 6" (3.810 m). At one end, the Antenna Side Strut has 3/4" diameter hardware for attachment to the antenna. The other end has 5/8" diameter hardware for attachment to a tower member or a Side-Strut Bracket (this page). Aluminum.



| Product Number | Description        |
|----------------|--------------------|
| <b>B1061</b>   | Antenna Side Strut |

### Side-Strut Bracket for Pipe Leg

The Side-Strut Bracket mounts to a tower pipe leg and enables attachment of an antenna's side strut or the B1061 Antenna Side Strut (this page). Hardware is included. Galvanized.



| Product Number | Pipe Size           |
|----------------|---------------------|
| <b>B2098</b>   | 1-3/4" (44 mm) OD   |
| <b>B992</b>    | 2-3/8" (60 mm) OD   |
| <b>B993</b>    | 2-7/8" (73 mm) OD   |
| <b>B994</b>    | 3-1/2" (89 mm) OD   |
| <b>B995</b>    | 4" (102 mm) OD      |
| <b>B996</b>    | 4-1/2" (114 mm) OD  |
| <b>B997</b>    | 5-9/16" (141 mm) OD |
| <b>B998</b>    | 6-5/8" (168 mm) OD  |
| <b>B999</b>    | 8-5/8" (219 mm) OD  |
| <b>B1755</b>   | 10-3/4" (273 mm) OD |
| <b>B1756</b>   | 12-3/4" (324 mm) OD |

## Side-Strut Support System for Pipe-Leg Tower Face

These Side-Strut Support System products enable the attachment of an antenna's side strut stabilizing rod on the face of a pipe-leg tower with a vertical face or with a face taper up to 20:1. The System is composed of three components and the individual products are selected based on the size of the pipe leg and the width of the tower face:

## Pipe-Leg Bracket Kit for Side-Strut Support System

The Pipe-Leg Bracket Kits, for tower legs from 2-7/8" (73 mm) OD to 8-5/8" (219 mm) OD, provide support for a 2-7/8" (73 mm) or 4-1/2" (114 mm) OD Face-Support Pipe that spans the face of the tower. The Kit includes two bracket units.

Galvanized.

| Product Number | Fits Pipe-Leg OD | Face Support Pipe |
|----------------|------------------|-------------------|
| B2107          | 2-7/8" (73 mm)   | 2-7/8" (73 mm)    |
| B2108          | 3-1/2" (89 mm)   | 2-7/8" (73 mm)    |
| B1916          | 4-1/2" (114 mm)  | 2-7/8" (73 mm)    |
| B1917          | 5-9/16" (141 mm) | 2-7/8" (73 mm)    |
| B1918          | 6-5/8" (168 mm)  | 2-7/8" (73 mm)    |
| B1929          | 8-5/8" (219 mm)  | 2-7/8" (73 mm)    |
| B2180          | 4-1/2" (114 mm)  | 4-1/2" (114 mm)   |
| B2181          | 5-9/16" (141 mm) | 4-1/2" (114 mm)   |
| B2062          | 6-5/8" (168 mm)  | 4-1/2" (114 mm)   |
| B2182          | 8-5/8" (219 mm)  | 4-1/2" (114 mm)   |

## Face-Support Pipe for Side-Strut Support System

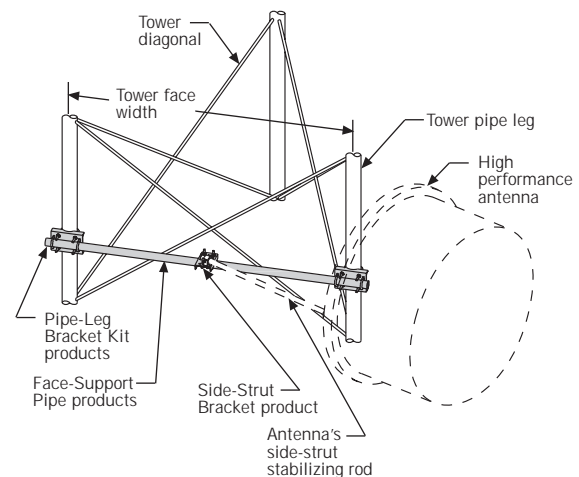
The Face-Support Pipe mounts to the Pipe-Leg Bracket Kit and spans the face of the tower to provide support for the B1915 or B2061 Side-Strut Bracket. Face Support Pipes are available to span tower face widths from 5' 9" (1.753 m) up to 23' 9" (7.239 m), respectively.

Galvanized.

| Product Number | Pipe OD         | Wall Thickness | Maximum Tower Face Width |
|----------------|-----------------|----------------|--------------------------|
| B1462          | 2-7/8 (73 mm)   | Standard       | 5' 9" (1.753 m)          |
| B1855          | 2-7/8 (73 mm)   | Standard       | 8' 9" (2.667 m)          |
| B1919          | 2-7/8 (73 mm)   | Standard       | 11' 9" (3.581 m)         |
| B1930          | 2-7/8 (73 mm)   | Extra Strong   | 13' 9" (4.191 m)         |
| B2179          | 4-1/2" (114 mm) | Standard       | 15' 9" (4.800 m)         |
| B2178          | 4-1/2" (114 mm) | Standard       | 19' 9" (3.581 m)         |
| B2177          | 4-1/2" (114 mm) | Standard       | 23' 9" (7.239 m)         |

## Side-Strut Bracket for Side-Strut Support System

The Side-Strut Bracket mounts to the Face-Support Pipe and provides for attachment of the antenna's side-strut stabilizing rod. The Bracket is furnished with both an 11/16" (17 mm) diameter and a 13/16" (21 mm) diameter hole.



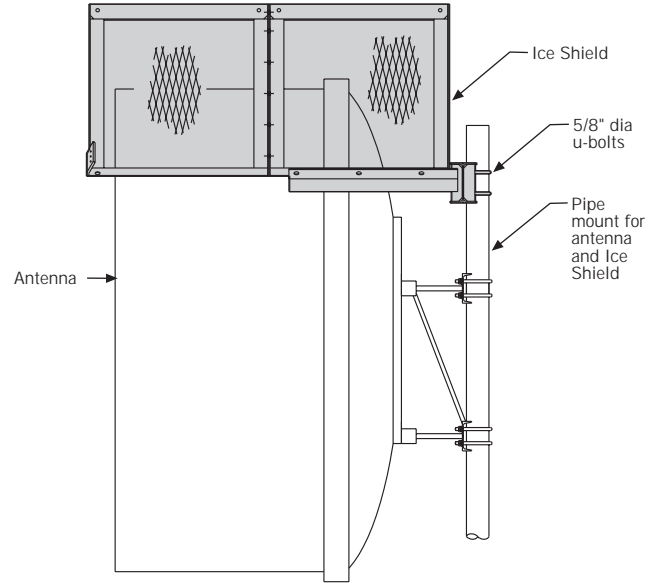
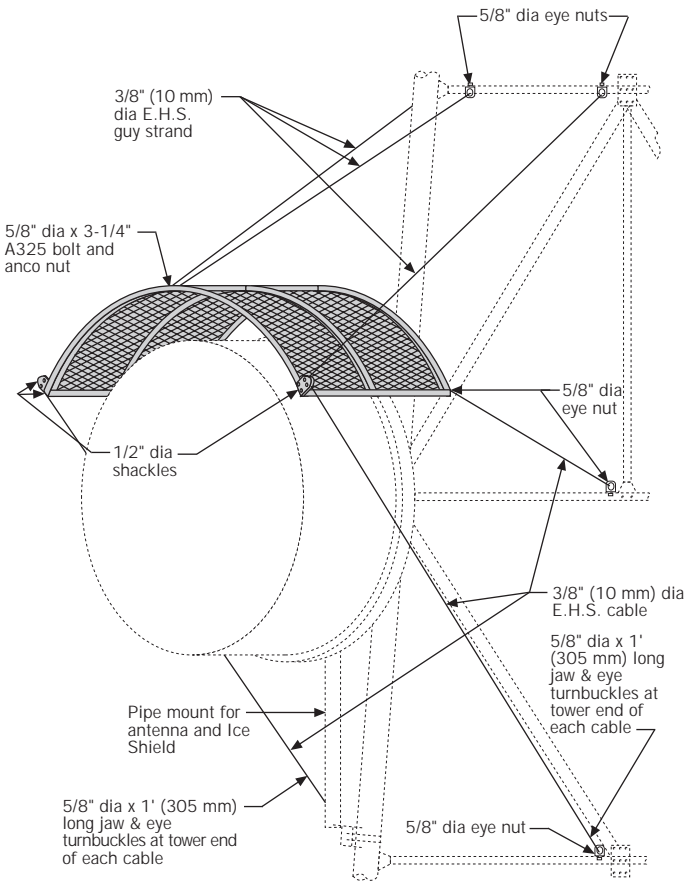
| Product Number | Description                                    |
|----------------|--|
| B1915          | Side-Strut Bracket for 2-7/8" (73 mm) OD pipe  |
| B2061          | Side-Strut Bracket for 4-1/2" (114 mm) OD pipe |

### Antenna Ice Shield

The rugged Antenna Ice Shields are designed to prevent antenna damage from falling ice and are available for 4' (1.219 m) to 15' (4.572 m) diameter antennas.

Each Ice Shield mounts to the top of the mounting pipe or tower leg used for mounting the antenna. The Ice Shield is stabilized with the included 200' (60.960 m) of 3/8" (10 mm) diameter E.H.S. guy strand and seven 5/8" diameter x 1' (305 mm) long jaw & eye turnbuckles and other hardware. Galvanized.

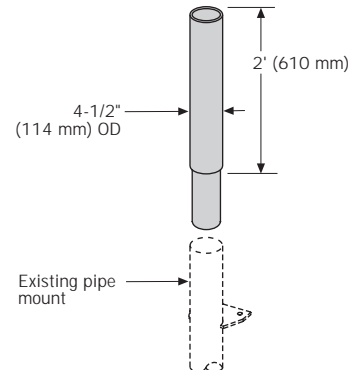
#### Ice Shield Stabilization



| Product Number | Description  |
|----------------|--|
| 99024          | Ice Shield for 4' (1.219 m) dia antenna                        |
| 99019          | Ice Shield for 6' (1.829 m) dia antenna                        |
| 99020          | Ice Shield for 8' (2.438 m) dia antenna                        |
| 99021          | Ice Shield for 10' (3.048 m) dia antenna                       |
| 99022          | Ice Shield for 12' (3.658 m) dia antenna                       |
| 99027          | Ice Shield for 15' (4.572 m) dia antenna                       |
| B2287          | Replacement Cable and Hardware Kit (fits all Ice Shield sizes) |

### Pipe Mount Extension for Ice Shield

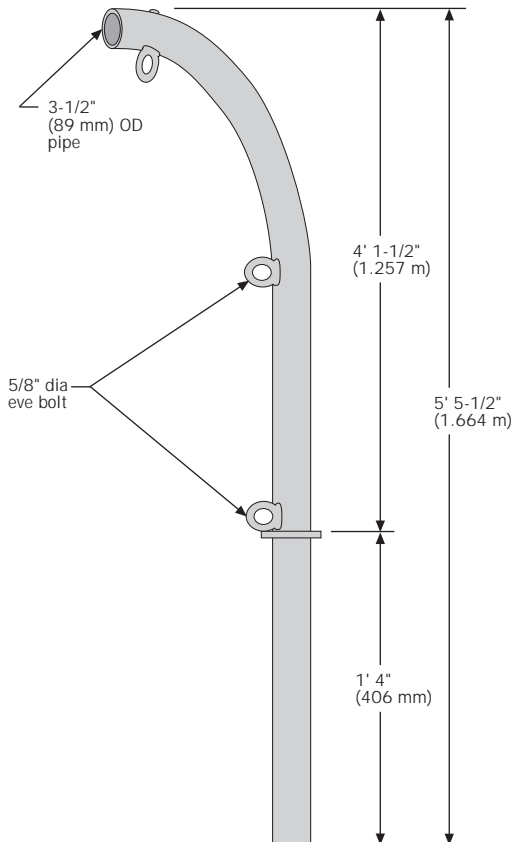
The Pipe Mount Extension is used to extend a 4-1/2" (114 mm) OD Antenna Pipe Mount by an additional 2' (610 mm). The Pipe Mount Extension enables installation of an Antenna Ice Shield when the antenna's pipe mount is too short. The Extension slips inside a 4-1/2" (114 mm) OD pipe mount with standard wall thickness and is secured by the Ice Shield's weight and stabilizing guy strands. Galvanized.



| Product Number | Description          |
|----------------|----------------------|
| B1935          | Pipe Mount Extension |

### Curved Outrigger Hoist

Curved Outrigger Hoist is used for lifting antennas and equipment up onto tower structures. The Hoist, made of 3-1/2" (89 mm) OD pipe, slips inside a tower's 4-1/2" (114 mm) OD pipe mount and may be swiveled for positioning. The Hoist is rated for 800 lb (362.9 kg) loads. Galvanized.



| Product Number | Description            |
|----------------|------------------------|
| B1066          | Curved Outrigger Hoist |