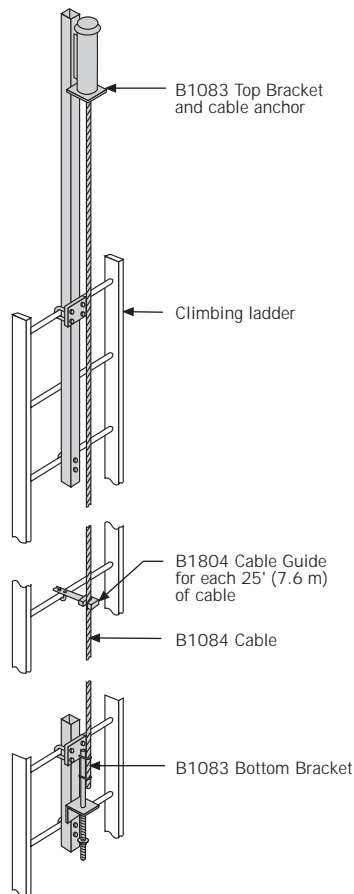


Safety-Climb Cable System for Climbing Ladder

These Safety-Climb Cable products clamp to climbing ladder rungs up to 1-1/4" (32 mm) in diameter. The products meet or exceed OSHA requirements for climbing safety.

The B1083 Top and Bottom Brackets, made of 11-gauge (3 mm), 1-1/2" (38mm) square tube, provide the anchors for the Cable. The Top Bracket provides shock absorption and can extend up to 4' (1.219 m) above the top rung, depending on the number of concurrent climbers. The Bottom Bracket includes a tension indicator. Galvanized.

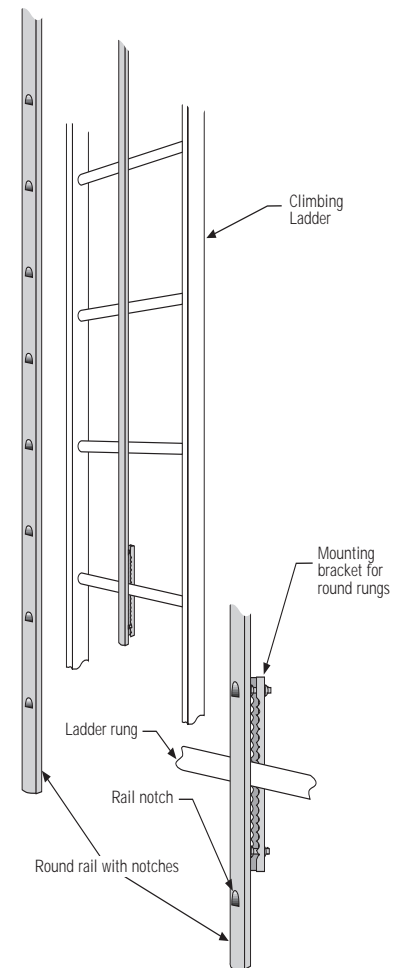
The B1084 Cable and guides provides 3/8" (10 mm) diameter, 1 x 7 strand, extra high strength (EHS) galvanized cable, ordered in 1' (305 mm) increments. A cable Guide, furnished for each 25' (7.6m) of cable, mounts to the ladder rung and prevents cable wear from the ladder.



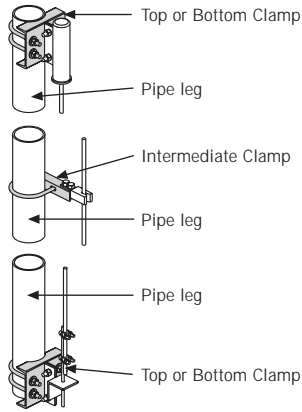
Product Number	Description
B1083	Top & Bottom Brackets for climbing ladders
B1084	Cable & Guides for climbing ladder

Safety-Climb Rail System for Climbing Ladder

This Safety-Climb Rail product clamps to the climbing ladder rungs 3/4" (19mm) in diameter. The product meets or exceeds OSHA requirements for climbing safety. The B1084 Safety-Climb Rail includes round rail, ordered in 1' (305mm) increments, that is notched for engagement of the locking wedge in the separately ordered Safety-Climb Rail Sleeve. A mounting bracket is furnished for each 7' (2.134m) of rail and a rail splice is furnished between full length, 20' (6.096m) long rail sections. Galvanized.



Product Number	Description
B1087	Safety-Climb Rail for climbing ladder



Top or Bottom Safety-Climb Clamp for Pipe Legs

Clamps fit tower legs from 1-1/4 (32 mm) to 12-3/4 (324 mm). The clamp accommodates either the top or bottom safety climb bracket. Select one clamp unit for the leg OD at the tower top and one for the leg OD at the tower base.

Product Number	Fits Pipe-Leg OD
B1791	1-1/4" (32 mm)
B1793	1-1/2" (38 mm)
B1795	2-3/8" (60 mm)
B1797	2-7/8" (73 mm)
B1799	3-1/2" (89 mm)
B1801	4" (102 mm)
B1803	4-1/2" (114 mm)
B1805	5-9/16" (141 mm)
B1807	6-5/8" (168 mm)
B1810	8-5/8" (219 mm)
B1814	10-3/4" (273 mm)
B1816	12-3/4" (324 mm)

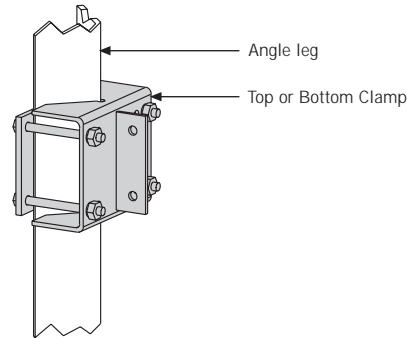
Intermediate Safety-Climb Clamp for Pipe Legs

Intermediate clamps fit tower legs from 1-1/4 (32mm) to 12-3/4 (324mm). The clamp accommodates intermediate guides. Select one clamp unit for pipe leg OD at each 25' (7.6m) along tower height.

Product Number	Fits Pipe-Leg OD
B1792	1-1/4" (32 mm)
B1794	1-1/2" (38 mm)
B1796	2-3/8" (60 mm)
B1798	2-7/8" (73 mm)
B1800	3-1/2" (89 mm)
B1802	4" (102 mm)
B1804	4-1/2" (114 mm)
B1806	5-9/16" (141 mm)
B1809	6-5/8" (168 mm)
B1812	8-5/8" (219 mm)
B1815	10-3/4" (273 mm)
B1817	12-3/4" (324 mm)

Safety-Climb Cable Clamp Top or Bottom for Angle Legs

Clamps for 3-leg and 4-leg towers fit angle sizes from 2-1/2" (64 mm) x 2-1/2" (64 mm) to 6" (152 mm) x 6" (152 mm). The Clamp accommodates either the top or the bottom Safety-Climb Brackets. Select one clamp unit for the angle size at the tower top and one for the angle size at the tower base.

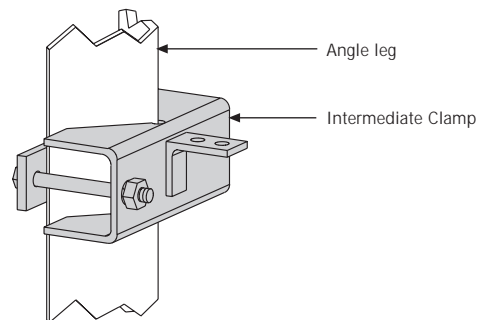


For 3-Leg Tower Product Number	For 4-Leg Tower Product Number	Fits Angle-Leg Size
B1781	B1785	2-1/2" (64 mm) x 2-1/2" (64 mm) to 4" (102 mm) x 4" (102 mm)
B1782	B1786	5" (127 mm) x 5" (127 mm) to 6" (152 mm) x 6" (152 mm)

Intermediate Safety-Climb Cable Clamp for Angle Legs

Intermediate Clamps for 3-leg and 4-leg towers fit angle sizes from 2-1/2" (64 mm) x 2-1/2" (64 mm) to 6" (152mm) x 6" (152 mm). The Clamp accommodates intermediate guides. Select one clamp unit for angle size at each 25' (7.6 m) along tower height.

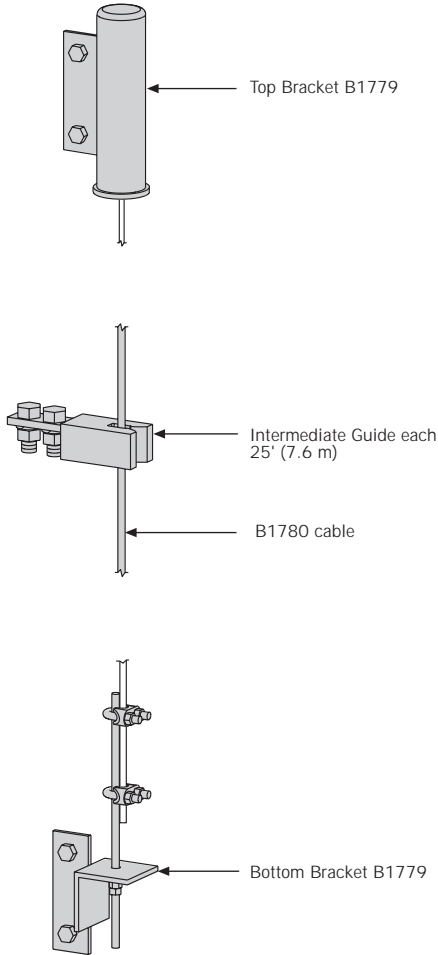
Galvanized.



For 3-Leg Tower Product Number	For 4-Leg Tower Product Number	Fits Angle-Leg Size
B1783	B1787	2-1/2" (64) x 2-1/2" (64) to 4" (102) x 4" (102)
B1784	B1788	5" (127) x 5" (127) to 6" (152) x 6" (152)

Safety-Climb Cable Brackets & Guides

Used in conjunction with the Safety-Climb Cable Clamps, safety-climb cable can be attached to an angle-leg tower, pipe-leg tower or a Monopole. One intermediate Cable Guide provided for every 25' (7.6 m) of cable. The products meet or exceed OSHA requirements for climbing safety.

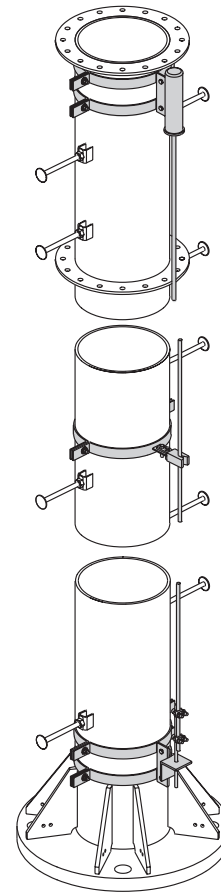


Product Number	Description
B1779	Safety Climb Top & Bottom Bracket
B1780	Safety Climb Cable & Intermediate Guides

Safety-Climb Cable System for MP Series Monopoles

These Safety-Climb Cable products clamp directly around the 1' 3/4" (324 mm) diameter MP series Monopoles and are used with the climbing step-bolts. The products meet or exceed OSHA requirements for climbing safety.

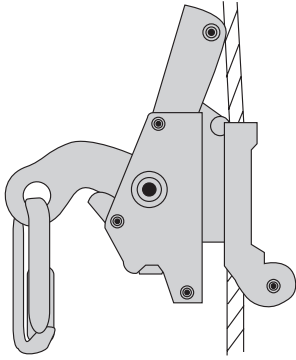
Each product includes a length of 3/8" (10 mm) diameter, 1 x 7 strand, extra-high strength (EHS) galvanized cable for the height of the Monopole. The cable is anchored with the top bracket, that provides shock absorption, and the bottom bracket which includes a cable tension indicator. A cable guide, to prevent cable wear from the Monopole, is included for the 30' (9.1 m) and 40' (12.2 m) Monopoles.



Product Number	For
92094	MP20 Monopole
92095	MP30 Monopole
92096	MP40 Monopole

Safety-Climb Cable Sleeve with Safety Hook

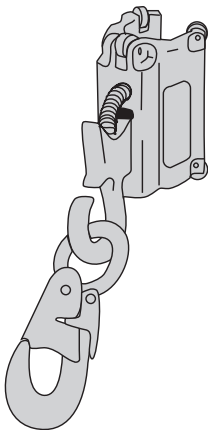
The Sleeve includes a Safety Hook for connection to the Belt or Harness D-Ring and is easily installed with one hand. Stainless.



Product Number	Description
B1086	Safety-Climb Cable Sleeve

Safety-Climb Rail Sleeve with Safety Hook

This Rail Sleeve's stainless locking wedge is housed in a machined aluminium body. A self-locking Snap Hook is provided for connection to the Belt or Harness D-Ring.

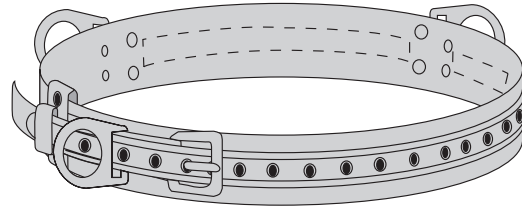


Product Number	Description
B1089	Safety-Climb Sleeve with safety hook

Safety-Climb Belt for Cable and Rail

Tongue and buckle belt for use with Cable and Rail Sleeves. Provides two side D-Rings for lanyard or tools and a front D-Ring for connection with Sleeve's Safety Hook. *Medium for 36" (914 mm) - 44" (1.118 m).*

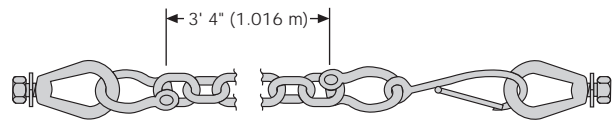
For use with Cable or Rail type Safety Climb systems, as a positioning device. Not to be used as part of a personal fall arrest system.



Product Number	Description
B1088	Safety-Climb Belt

Safety Chain Kit

The Safety Chain Kit provides protection at ladder access openings on tower platforms. The Kit includes a 3' 4" (1.016 m) long chain and attaching hardware. Galvanized.



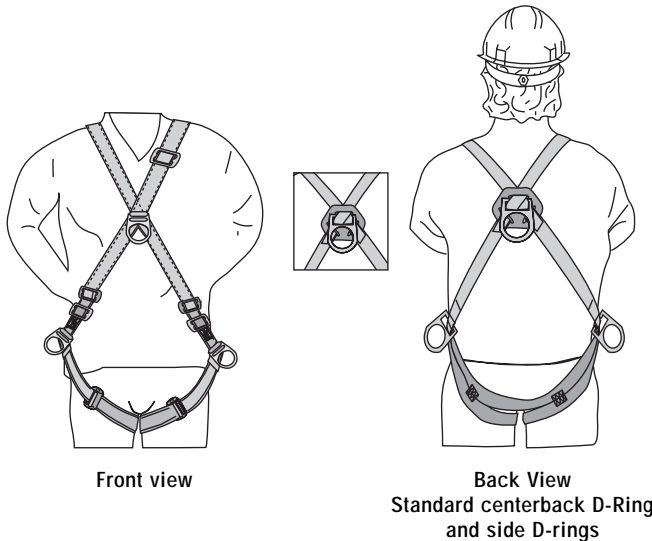
Product Number	Description
B1062	Safety Chain Kit

Full-Body Harness

The Full-Body Harness is cross-over style. The design of the harness distributes the impact forces throughout the thighs, buttocks, chest and shoulders and allows for maximum freedom of movement. The polyester webbing is 1-3/4" (44 mm) wide. The upper body is colored yellow and the lower body is colored black for ease of identification. The stitching is bonded high-strength polyester thread 5 to 7 stitches per inch (25 mm).

The harness is complete with center-front and center-back D-Ring parachute adjuster buckles, metal to metal pass through type adjuster buckles on shoulder and leg straps. The harness is manufactured to meet or exceed ANSI A10.14-1991, ANSI Z359.1-1992, OSHA 1910.66 and OSHA 1926.502 requirements.

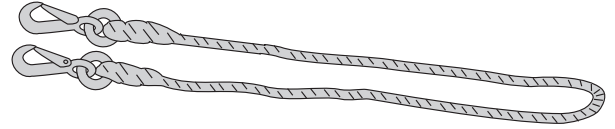
May be used for work positioning, ladder climbing and fall arrest or restraint.



Product Number	Description
B1385	Full-Body Harness, Cross-over style

Safety-Climb Lanyard

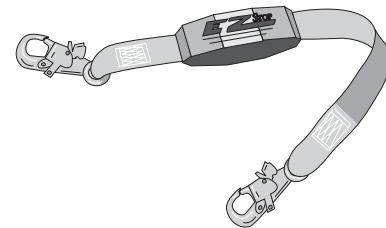
Lanyard is a 1/2" (13 mm) diameter, three strand nylon rope, with a tensile strength of 5,750 lbs (2,608 kg). It is 6' (1.829 m) long with self-locking hooks at each end.



Product Number	Description
B1116	Safety-Climb Lanyard

EZ-STOP® Lanyard

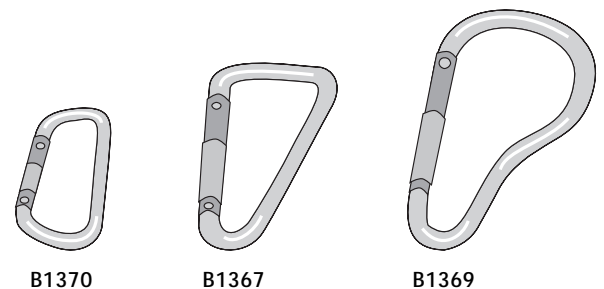
The EZ-STOP® Shock Absorber's patented design will substantially reduce the force created from arresting a fall. Unlike typical rope, web or cable lanyards, the shock absorbing lanyard helps cushion a fall, reducing the jerking and bouncing which often occurs with standard lanyards. The Lanyard, with self-lock hooks at each end, meets or exceeds ANSI A10.14-1991, ANSI Z359.1-1992, OSHA 1910.66 and OSHA 1926.502 requirements.



Product Number	Size	Webbing Material
B2050	1" x 2' (25mm x 610mm)	Nylon
B1371	1" x 3' (25mm x 914mm)	Polyester
B2430	1" x 6' (25mm x 1.829m)	Polyester

Safety Hooks

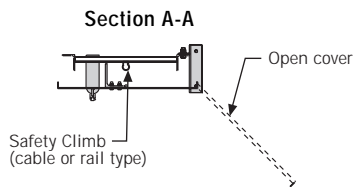
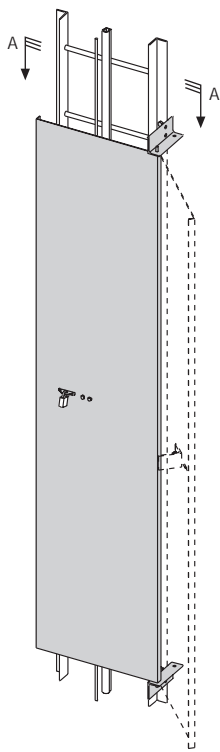
Safety Hooks include an automatic locking carabiner. They are made of zinc plated steel with a minimum tensile strength of 5,000 lbs. (2,268 kg). This product is a fall protection device and **must not** be used for hoisting or rigging.



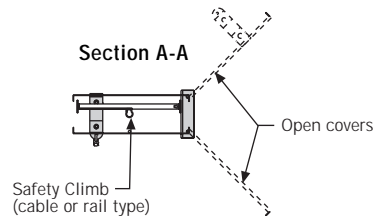
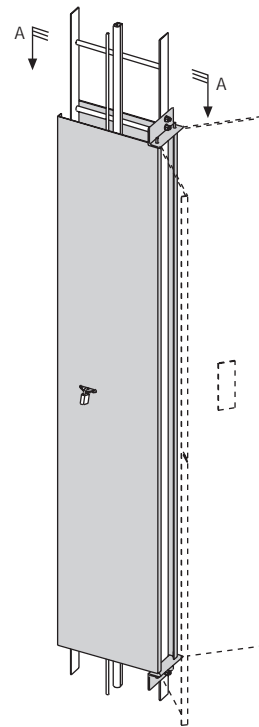
Product Number	Description	Length in (mm)	Width in (mm)
B1370	Safety Hook with 3/4" (19mm) gate opening	4-1/4" (108 mm)	2-3/8" (60 mm)
B1367	Safety Hook with 1-3/16" (30mm) gate opening	4-5/8" (117 mm)	3-11/16 (94 mm)
B1369	Safety Hook with 2" (51mm) gate opening	8-11/16" (221 mm)	4-13/16 (125 mm)

Hinged Anti-Climb Cover for Climbing Ladder

Hinged Anti-Climb Covers inhibit unauthorized access to the structure. They are available for use on ladders with angle, square rail or flat bar rails and come with either a front and back panel or with a front panel only, used when the back panel would be inoperable. The covers are 8' (2.438 m) long, fabricated from 11-gauge (3 mm) steel and are designed to swing away from the ladder for climbing access. The necessary installation hardware (without padlock) is included.



B1467 shown

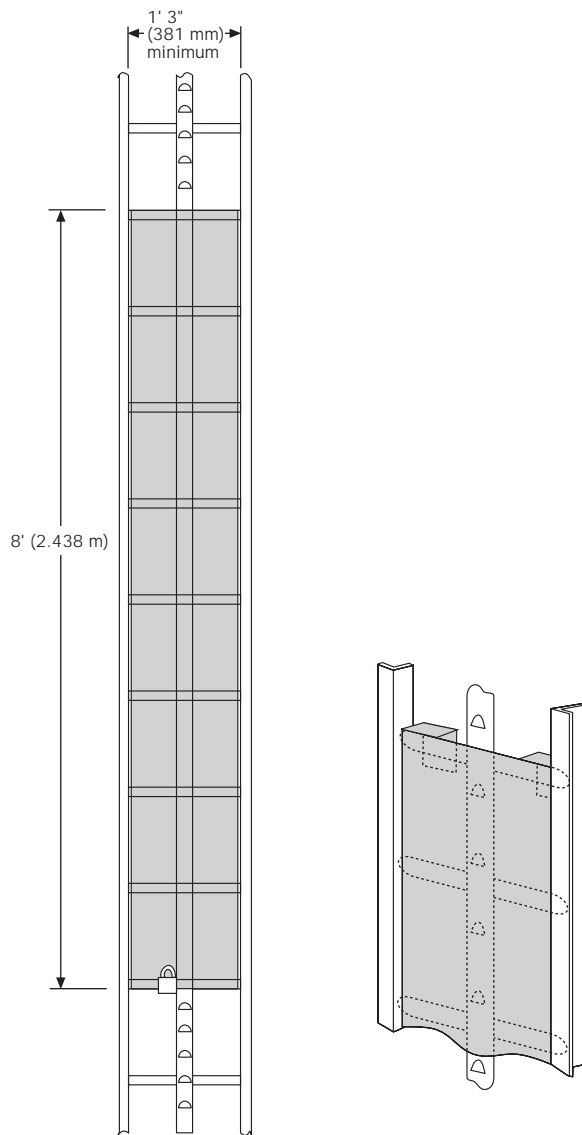


B1973 shown

Product Number	Includes	Rails
B1219	Front and Back panels	Angle or Sq. Rail
B1467	Front panel only	Angle or Sq. Rail
B1973	Front and Back panels	Flat Bar

Anti-Climb Device for ladder

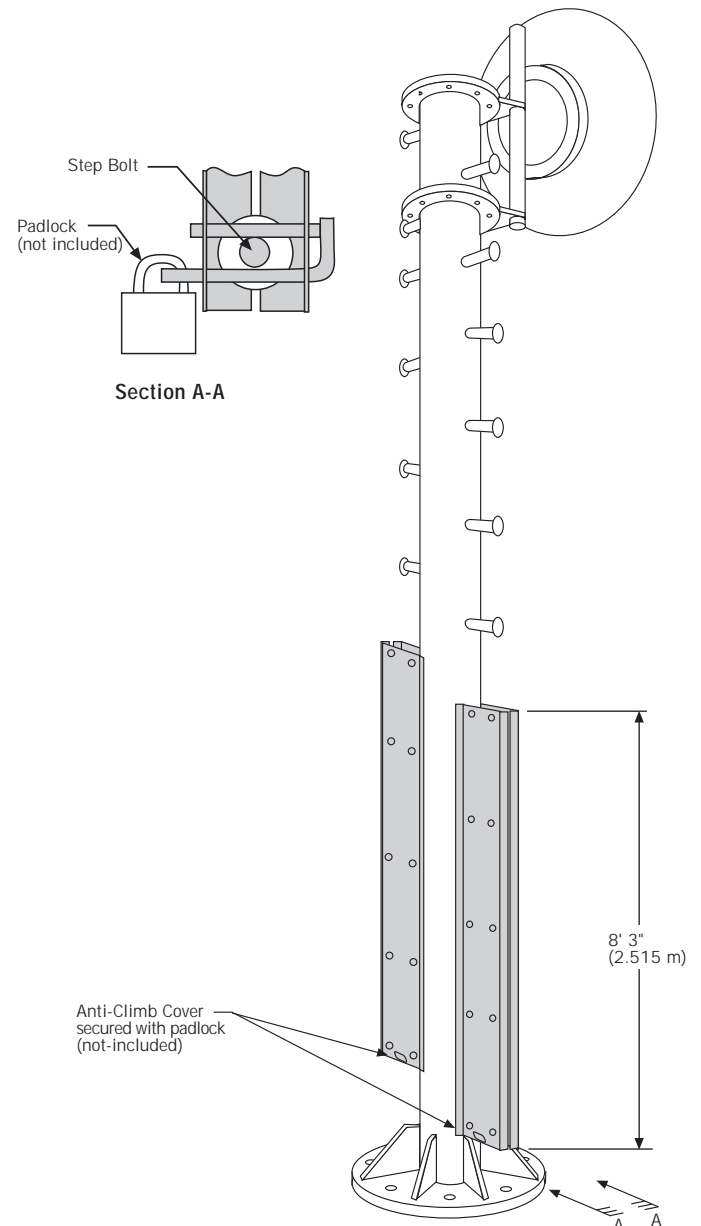
The Anti-Climb Cover provides 8' (2.438 m) long, 11 guage (3 mm) steel panels that are placed on the front and back of a climbing ladder to discourage unauthorized access to a tower structure. The panels weighing about 60lbs (27 kg) each, are manually removed from the ladder to allow climbing access. Installation hardware is not required and a padlock is obtained seperately.



Product	
Number	Description
B1114	Anti-Climb Device

Anti-Climb Cover for Monopole Step Bolts

The Monopole Anti-Climb Cover provides 8' 3" (2.515 m) long, formed aluminium panels that are placed over the climbing step bolts on both sides of the Monopole to discourage unauthorized access to the structure. The panels, weighing about 30lbs (14 kg) each, are manually removed from the step bolts to allow climbing access. Installation hardware is not required and a padlock is obtained seperately.



Product	
Number	Description
91190	Anti-Climb Cover