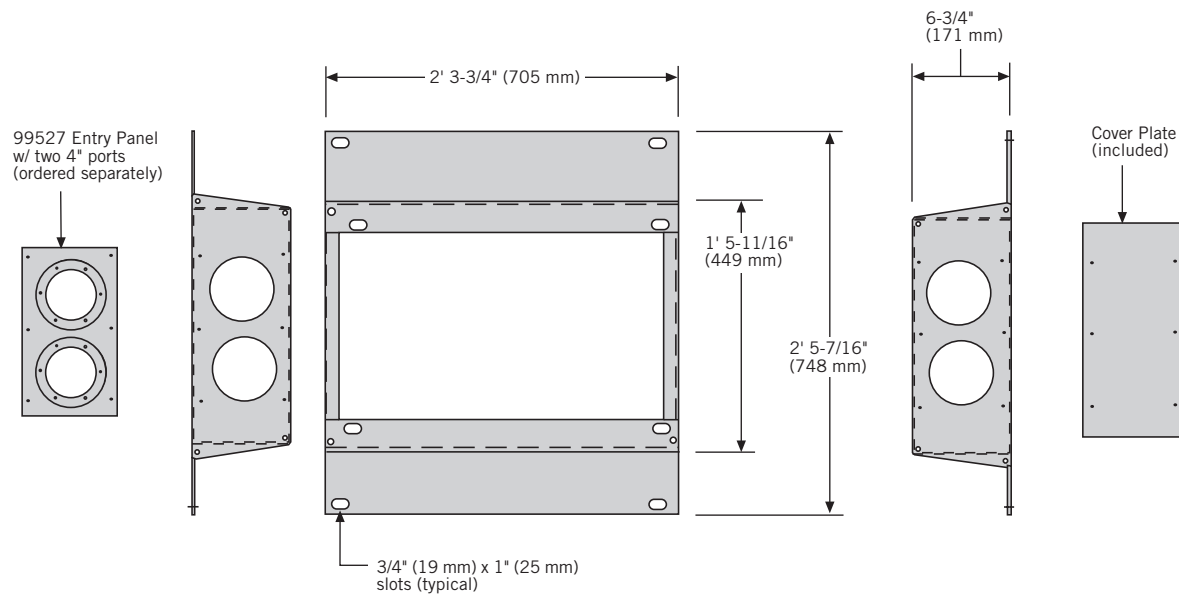


BTS Support Frame for Ericsson Mini Radio Cabinet

The BTS Support Frame supports an Ericsson Mini Radio Cabinet for ground or rooftop installations. The 6-3/4" (171 mm) high structure matches the 2' 3-3/4" (705 mm) x 1' 5-11/16" (449 mm) radio cabinet dimensions and also has legs that extend 6-1/8" (156 mm) on each side to enhance stability. When installations require multiple radio cabinets, the BTS Support Frames can be bolted together end-to-end.

Both ends of the frame are provided with two 4" (102 mm) diameter holes for routing coax transmission lines. The BTS Support Frame includes a solid cover plate that is normally used on one. An optional 99527 Entry Panel, with two 4" (102 mm) ports, is used on the other end, enabling the use of boots (see section 8) to provide a water-tight coax entry.

The BTS Frame is constructed with 11-gauge (3mm) steel and is hot-dip galvanized after fabrication. The aluminum 99537 Entry Panel and cover plate are powder coated a machinery-gray color.



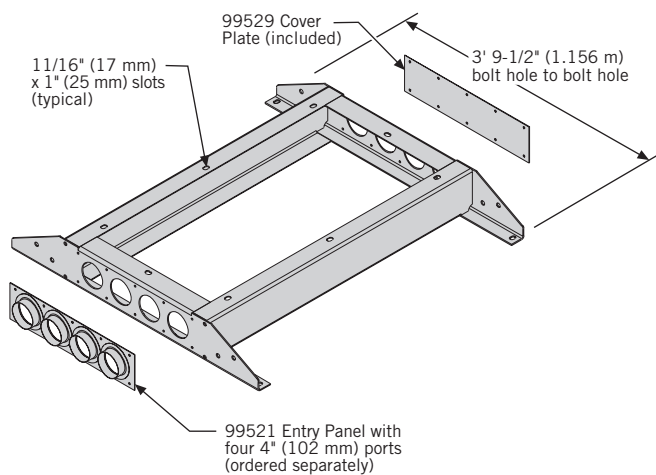
Product Number	Description
99526	BTS Support Frame with cover plate
99527	Entry Panel, two 4" (102 mm) ports (1 x 2 layout)

BTS Support Frame with Outriggers for Ericsson Compact Radio Cabinet

The BTS support Frame was designed for ground or rooftop installations of an Ericsson radio cabinet. The Frame matches the 4' 3-1/4" (1.302 m) x 2' 4" (711 mm) dimensions of the radio cabinet and is 6-3/4" (171 mm) high with outriggers that extend 9-3/4" (248 mm) at each corner to enhance stability. The BTS Support Frames can be bolted together end-to-end when multiple radio cabinets are being installed.

The Frame is provided with four 4" (102 mm) diameter holes for the routing of the coax transmission lines. A solid Cover Plate, 99529, is included and is normally used on one end. An optional Entry Panel, 99521, with four 4" (102 mm) ports, is used on the other end. This Entry Panel enables the use of Boots (see section 8) to provide a water-tight coax entry.

The BTS Support Frame is constructed from 11-gauge (3 mm) and 3/16" (5 mm) thick steel and is hot-dip galvanized after fabrication. The aluminum 99529 Cover Plate is powder coated a machinery-gray color.



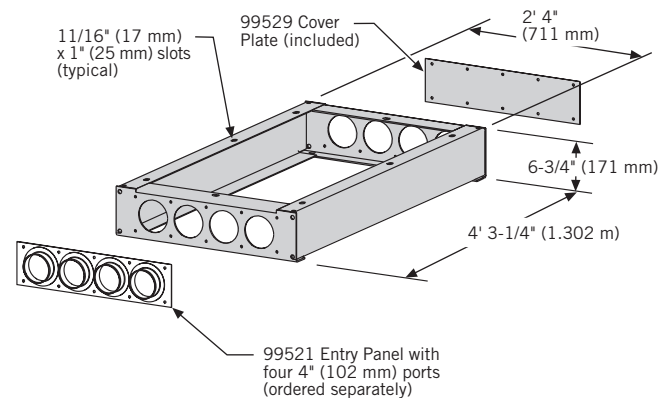
Product Number	Description
99520	BTS Support Frame with 99529 Cover Plate
99521-GRN	Entry Panel, four 4" (102mm) ports, (1x4 layout), Green
99521-GRY	Entry Panel, four 4" (102mm) ports, (1x4 layout), Gray
99521-WHT	Entry Panel, four 4" (102mm) ports, (1x4 layout), White
99529	Cover Plate (only)

BTS Support Frame without Outriggers for Ericsson Compact Radio Cabinet

The BTS Support Frame was designed for ground or rooftop installations of an Ericsson radio cabinet. The Frame matches the 4' 3-1/4" (1.302 m) x 2' 4" (711 mm) dimensions of the radio cabinet and is 6-3/4" (171 mm) high.

The Frame is provided with four 4" (102 mm) diameter holes for the routing of the coax transmission lines. A solid Cover Plate, 99529, is included and is normally used on one end. An optional 99521 Entry Panel, with four 4" (102 mm) ports, is used on the other end. This Entry Panel enables the use of Boots (section 8) to provide a watertight coax entry.

The BTS Support Frame is constructed from 11-gauge (3 mm) and 3/16" (5 mm) thick steel and is hot-dip galvanized after fabrication. The aluminum 99529 Cover Plate is powder coated a machinery-gray color.

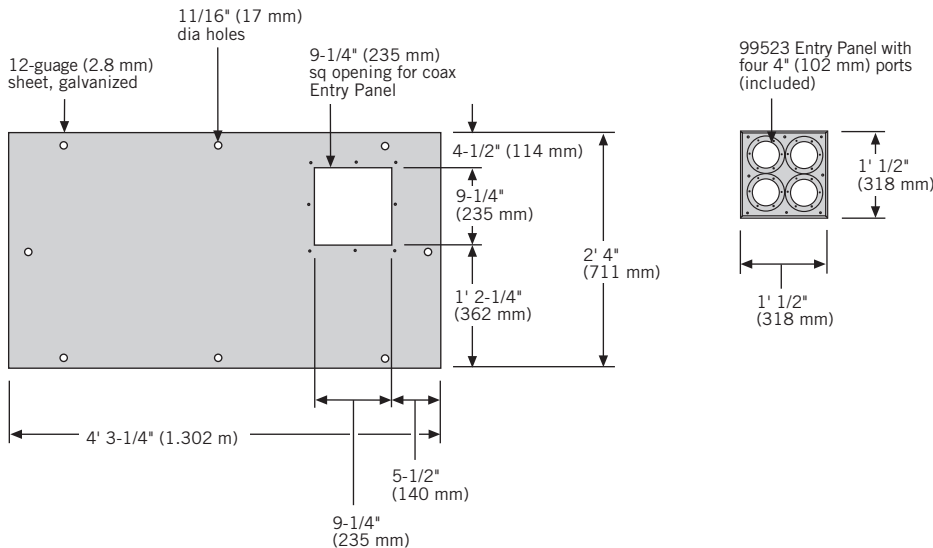


Product Number	Description
99528	BTS Support Frame with 99529 Cover Plate
99521-GRN	Entry Panel, four 4" (102 mm) ports, (1x4 layout), Green
99521-GRY	Entry Panel, four 4" (102 mm) ports, (1x4 layout), Gray
99521-WHT	Entry Panel, four 4" (102 mm) ports, (1x4 layout), White
99529	Cover Plate (only)

BTS Base Plate with coax entry ports for Ericsson Compact Radio Cabinet

The BTS Plate covers the bottom of an Ericsson Compact radio cabinet for elevated installations. The 4' 3 1/4" (1.302 m) x 2' 4" (711 mm) BTS Plate has a 9 1/4" (235 mm) square opening used with the included 99523 Entry Panel for coax entrance to the radio cabinet. This Entry Panel, with four 4" (102mm) ports (2 x 2 layout), enables the use of support Boots (section 8) to provide a water-tight coax entry.

The Plate is constructed with 12-gauge (2.8 mm) steel and is hot-dip galvanized after fabrication. The aluminum 99523 Entry Panel is powder coated a machinery-gray color.



Product Number	Description
99522	BTS Base Plate with 99523 Entry Panel
99523	Entry Panel, four 4" ports (2 x 2 layout)

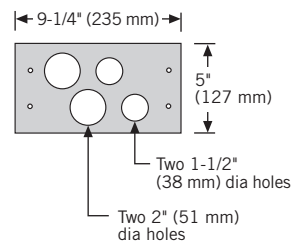
BTS Base Plate

with coax and utility entry ports
for Ericsson Compact Radio Cabinet

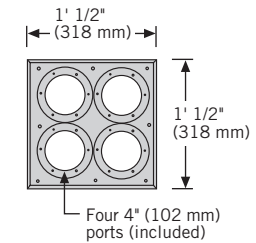
These BTS Plates are similar to the previous 99522 BTS Base Plate and also include a second opening for entry of utility lines. Both the 99524 and 99525 BTS Base Plates have a 9-3/4" (248 mm) square opening used with an included 99523 Entry Panel for coax entry to the radio cabinet. This Entry Panel, with four 4" (102 mm) (2 x 2 layout), enables the use of support Boots (section 8) to provide a water-tight coax entry.

Both BTS Base Plates also have a 4" (102 mm) x 6" (152 mm) opening used with a Utility Entry Plate for utility line entry to the cabinet. The Utility Entry Plate with the 99524 provides two 1-1/2" (38 mm) and two 2" (51 mm) diameter holes and with the 99525 provides four 2" (51 mm) diameter holes. Plugs are provided for unused holes. The BTS Base Plate matches the 4' 3-1/4" (1.302 m) x 2' 4" (711 mm) radio cabinet dimensions and is used for elevated installations of the Compact radio cabinet. The Plate is constructed with 14-gauge (2 mm) steel and is hot-dip galvanized after fabrication. The aluminum 99523 Entry Panel is powder coated a machinery-gray color.

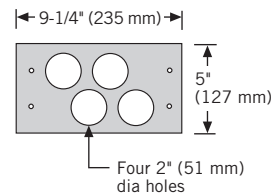
Utility Entry Plate with 99524



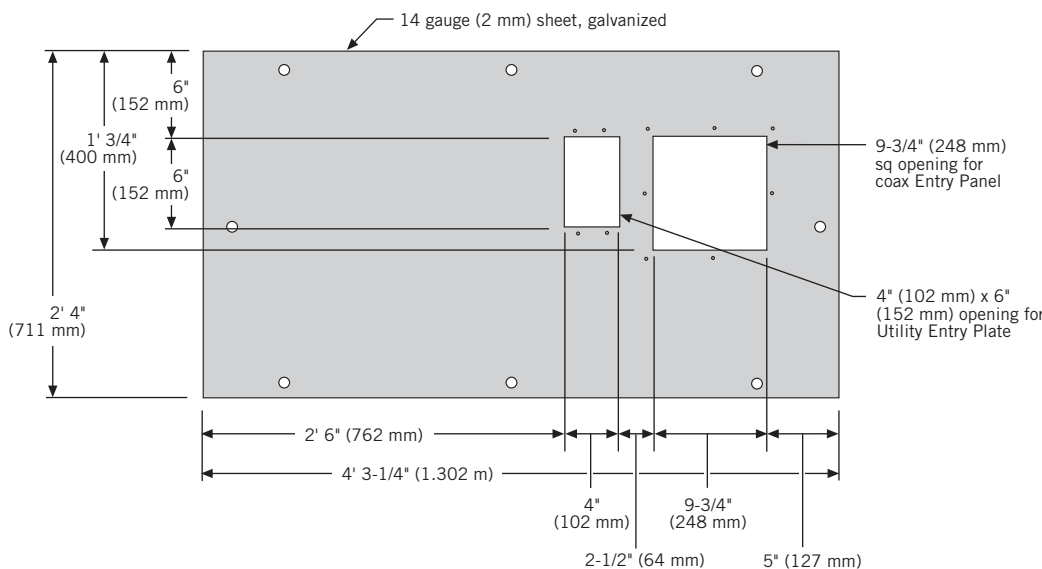
99523 Entry Panel



Utility Entry Plate with 99525



BTS Base Plate



Product Number	Description
99524	BTS Base Plate with 99523 Entry Panel & Utility entry with two 1-1/2" (38 mm) and two 2" (51 mm) dia holes
99525	BTS Base Plate with 99523 Entry Panel & Utility Entry with four 2" (51 mm) dia holes
99523	Entry Panel, four 4" (102mm) ports (2 x 2 layout)